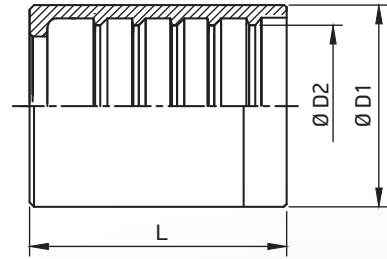
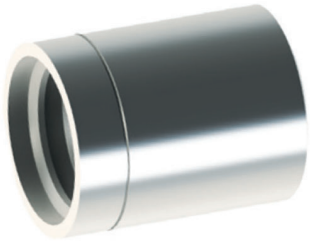


Hortum Soketi R1 / SN

Hose Ferrule R1 / SN



Kod No Part Number	Hortum İç Çapı Hose Inside Diameter		Boyut Ölçüleri (mm) Dimensions in (mm)		
ID No	Size	DN	Ø D1	Ø D2	L1
TR101-3-17	3/16"	5	17	12.5	25
TR101-4-20	1/4"	6	20	14	26
TR101-5-21	5/16"	8	21	15.5	27
TR101-6-24	3/8"	10	24	18	30
TR101-8-28	1/2"	12	28	21	32
TR101-10-31	5/8"	16	31	24.5	37
TR101-12-35	3/4"	20	35	28	38
TR101-16-44	1"	25	44	36	42
TR101-20-53	1"1/4	32	52.5	44	56
TR101-24-59	1"1/2	40	59	51	58
TR101-32-74	2"	50	73.5	65.5	65
TR101-40-89	2"1/2	63	89	80.8	80
TR101-48-102	3"	76	101.5	92.5	85

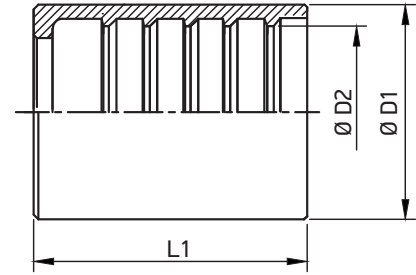
- Hortum soyulmadan takılacaktır.
NO SKIVE.

TR 102

R2 / SN

Hortum Soketi R2 / SN

Hose Ferrule R2 / SN



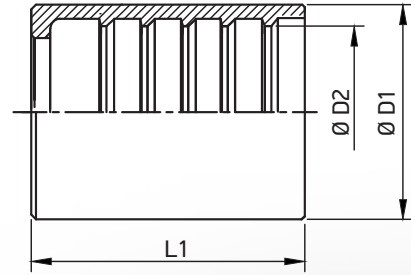
R2 / SN

Kod No Part Number	Hortum İç Çapı Hose Inside Diameter		Boyut Ölçüleri (mm) Dimensions in (mm)		
ID No	Size	DN	Ø D1	Ø D2	L1
TR102-4-21	1/4"	6	21	15.5	28
TR102-5-23	5/16"	8	24	17.2	29
TR102-6-26	3/8"	10	26	19.5	32
TR102-8-30	1/2"	12	30	23	35
TR102-10-33	5/8"	16	33	26	40
TR102-12-37	3/4"	20	37	29.5	42
TR102-16-46	1"	25	46	38	50
TR102-20-56	1"1/4	32	56.5	48.5	60
TR102-24-62	1"1/2	40	62	54	60
TR102-32-76	2"	50	75.5	68	70
TR102-40-88	2"1/2	63	88	80.8	80
TR102-48-101	3"	76	101.5	92.5	85

- Hortum soyulmadan takılacaktır.
NO SKIVE.

Hortum Soketi (Soymalı) R2 / SN

Hose Ferrule R2 / SN



Kod No Part Number	Hortum İç Çapı Hose Inside Diameter		Boyut Ölçüleri (mm) Dimensions in (mm)		
ID No	Size	DN	Ø D1	Ø D2	L1
TR102-S-4-20	1/4"	6	20	14	30
TR102-S-5-22	5/16"	8	22	15.5	31.5
TR102-S-6-25	3/8"	10	25	18	33
TR102-S-8-28	1/2"	12	28	21	35
TR102-S-10-32	5/8"	16	32	24	40
TR102-S-12-38	3/4"	20	38	28.5	45
TR102-S-16-45	1"	25	45	36.5	52

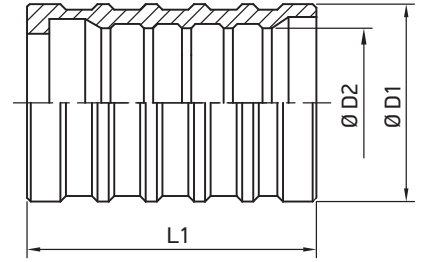
- Hortum soyularak takılacaktır.
SKIVE.

TR 103

4SH / R9

Hortum Soketi 4SH / R9

Hose Ferrule 4SH / R9



Kod No Part Number	Hortum İç Çapı Hose Inside Diameter		Boyut Ölçüleri (mm) Dimensions in (mm)		
ID No	Size	DN	Ø D1	Ø D2	L1
TR103-16-46	1"	25	46	36,6	60
TR103-20-55	1"1/4	32	55	44	78
TR103-24-62	1"1/2	40	62	51	78
TR103-32-75	2"	50	75	64,5	80

- Hortum soyularak takılacaktır.
SKIVE.

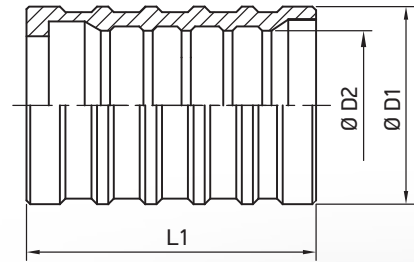
4SH / R9

TR 104

4SP / R9

Hortum Soketi 4SP / R9

Hose Ferrule 4SP / R9



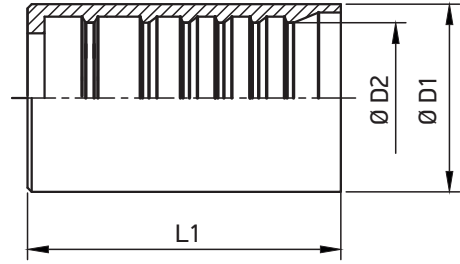
Kod No Part Number	Hortum İç Çapı Hose Inside Diameter		Boyut Ölçüleri (mm) Dimensions in (mm)		
	Size	DN	Ø D1	Ø D2	L1
TR104-6-26	3/8	10	26	19	35
TR104-8-30	1/2	12	30	21.5	40
TR104-10-34	5/8	16	34	25.5	45
TR104-12-38	3/4	20	38	29.5	50
TR104-16-46	1"	25	46	36.5	60
TR104-20-58	1"1/4	32	58	47	78
TR104-24-65	1"1/2	40	65	54	78
TR104-32-75	2"	50	75	64.5	80

- Hortum soyularak takılacaktır.
SKIVE.

TR 105

R13 / R15

Altı Telli Sıyrmalı Tip Soket Hose Ferrule R13 / R15

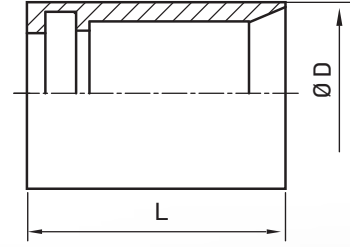


Kod No Part Number	Hortum İç Çapı Hose Inside Diameter		Boyut Ölçüleri (mm) Dimensions in (mm)		
ID No	Size	DN	Ø D1	Ø D2	L1
TR105-16-46	1"	25	46	36	70
TR105-20-59	1"1/4	32	59	49	90
TR105-24-67	1"1/2	40	67	56	95
TR105-32-80	2"	50	80	70	95

- Hortum soyularak takılacaktır.
SKIVE.

Teflon Soket

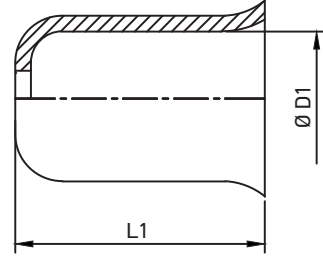
Teflon Ferrule



Kod No Part Number	Hortum İç Çapı Hose Inside Diameter		Boyut Ölçüleri (mm) Dimensions in (mm)	
ID No	Size	DN	Ø D	L
TR106-3-12	3/16"	5	12	23
TR106-4-14	1/4"	6	14	25
TR106-5-16	5/16"	8	16	25
TR106-6-19	3/8"	10	19	28
TR106-8-24	1/2"	12	24	30
TR106-10-27	5/8"	16	27	35
TR106-12-30	3/4"	20	30	40
TR106-16-37	1"	25	37	50

Sac Soket

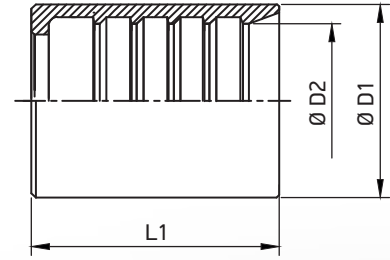
Hose Ferrule



Kod No Part Number	Hortum İç Çapı Hose Inside Diameter		Boyut Ölçüleri (mm) Dimensions in (mm)	
ID No	Size	DN	Ø D	L
TR107-03	10		10	17
TR107-04	11		11	17
TR107-06	12		12	17
TR107-07	13		13	19
TR107-08	14		14	21
TR107-09	15		15	21
TR107-10	16		16	24
TR107-11	17		17	25
TR107-12	18		18	25
TR107-13	19		19	25
TR107-14	20		20	25
TR107-15	21		21	30
TR107-16	22		22	31
TR107-17	23		23	28
TR107-18	24		24	28
TR107-19	25		25	32
TR107-20	26		26	34
TR107-21	27		27	35
TR107-22	28		28	35
TR107-23	29		29	32
TR107-24	30		30	32
TR107-25	31		31	34
TR107-26	32		32	36
TR107-27	36		36	40

Buhar Soketi

Steam Ferrule



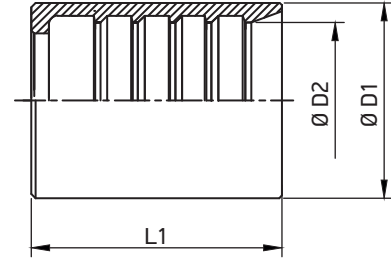
Kod No Part Number	Hortum İç Çapı Hose Inside Diameter		Boyut Ölçüleri (mm) Dimensions in (mm)		
ID No	Size	DN	Ø D1	Ø D2	L1
TR108-8-30	1/2"	12	30	25.5	35
TR108-12-38	3/4"	20	38	32.5	40
TR108-16-48	1"	25	45	39	45
TR108-20-55	1"1/4	32	55	46.5	50
TR108-24-60	1"1/2	40	60	52.3	50
TR108-32-75	2"	50	75	67.5	53

TR 109

R7-R8 Soket

R7-R8 Soket

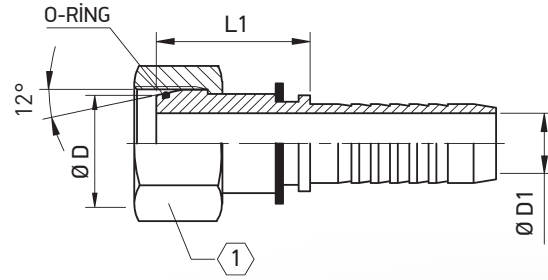
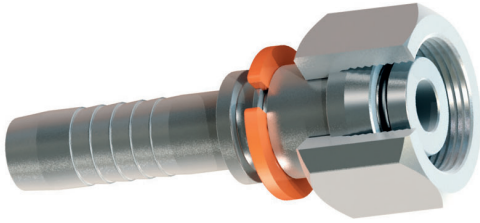
Hose Ferrule R7-R8



Kod No Part Number	Hortum İç Çapı Hose Inside Diameter	Boyut Ölçüleri (mm) Dimensions in (mm)			
ID No	Size	DN	Ø D1	Ø D2	L1
TR109-3-15	3/16"	5	14	10.6	24
TR109-4-17	1/4"	6	17	13	26
TR109-5-10	5/16"	8	20	15.7	28
TR109-6-22	3/8"	8	22	17	30
TR109-8-25	1/2"	12	25	20	32
TR109-16-38	5/8"	16	30	24.5	35

Metrik Somunlu Hortum Rakorları

Metric Female 24° Cone with O-Ring (Light) DIN3865 - DKOL



Kod No Part Number	Hortum İç Çapı Hose Inside Diameter		Dış Ölçüsü Thread		Boyut Ölçüleri (mm) Dimensions in (mm)			
ID No	Size	DN	Thread	Ø D	L1	Ø D1	①	O-RİNG
TR110-3-6	3/16"	5	M12x1.5	6L	22.5	3.0	14	4,5x1.5
TR110-3-8	3/16"	5	M14x1.5	8L	22.5	3.0	17	6,5x1.5
TR110-4-6	1/4"	6	M12x1.5	6L	22.5	4.0	17	4x1.5
TR110-4-8	1/4"	6	M14x1.5	8L	22.5	4.0	17	6,5x1.5
TR110-4-10	1/4"	6	M16x1.5	10L	25	4.0	19	8.5x1.5
TR110-4-12	1/4"	6	M18x1.5	12L	25	4.0	22	10.5x1.5
TR110-5-8	5/16"	8	M14x1.5	8L	22	5.0	19	6,5x1.5
TR110-5-10	5/16"	8	M16x1.5	10L	22.5	5.0	19	8.5x1.5
TR110-5-12	5/16"	8	M18x1.5	12L	25	5.0	22	10.5x1.5
TR110-6-10	3/8"	10	M16x1.5	10L	23.5	6.5	22	8.5x1.5
TR110-6-12	3/8"	10	M18x1.5	12L	25.5	6.5	22	10.5x1.5
TR110-6-15	3/8"	10	M22x1.5	15L	29	6.5	27	12x2
TR110-8-12	1/2"	12	M18x1.5	12L	29	9.5	22	10.5x1.5
TR110-8-15	1/2"	12	M22x1.5	15L	30	9.5	27	12x2
TR110-8-18	1/2"	12	M26x1.5	18L	33	9.5	32	16x2
TR110-10-18	5/8"	16	M26x1.5	18L	34	11.5	32	16x2
TR110-12-22	3/4"	20	M30x2	22L	32,5	14.5	36	20x2
TR110-16-28	1"	25	M36x2	28L	34,5	19.5	41	26x2
TR110-16-35	1"	25	M45x2	35L	36	19.5	50	32x2.5
TR110-20-35	1"1/4	32	M45x2	35L	39	24.5	50	32x2.5
TR110-20-42	1"1/4	32	M52x2	42L	42	24.5	60	39x2.5
TR110-24-42	1"1/2	40	M52x2	42L	40	29.5	60	39x2.5

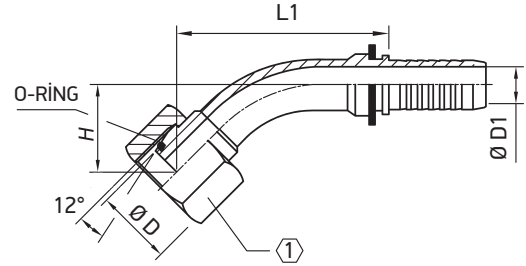
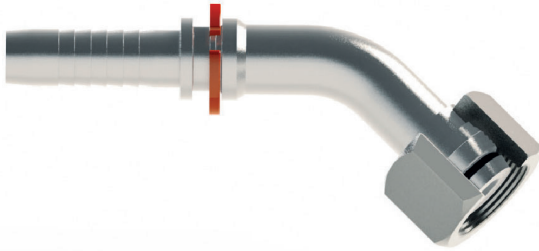
Metrik 24° TIPL

TR 111

Metrik 24° Tip L

Metrik Somunlu 45° Hortum Rakorları

45° Metric Female 24° Cone with O-Ring (Light)
DIN3865 - DKOL 45

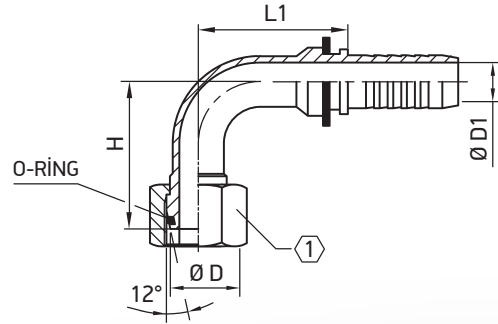
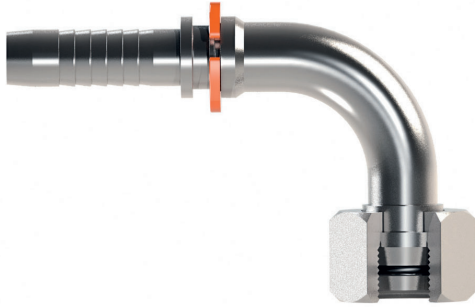


Kod No Part Number	Hortum İç Çapı Hose Inside Diameter		Dış Ölçüsü Thread		Boyut Ölçüleri (mm) Dimensions in (mm)				
ID No	Size	DN	Thread	Ø D	L1	H	Ø D1	①	O-RİNG
TR111-3-6	3/16"	5	M12x1.5	6L	42	16	3	14	4,5x1.5
TR111-3-8	3/16"	5	M14x1.5	8L	42	16	3	17	6,5x1.5
TR111-4-6	1/4"	6	M12x1.5	6L	42	18	4	17	4,5x1.5
TR111-4-8	1/4"	6	M14x1.5	8L	42	18	4	17	6,5x1.5
TR111-4-10	1/4"	6	M16x1.5	10L	44	19	4	19	8,5x1.5
TR111-4-12	1/4"	6	M18x1.5	12L	44	18	4	22	10,5x1.5
TR111-5-8	5/16"	8	M14x1.5	8L	44	19	5	19	6x1.5
TR111-5-10	5/16"	8	M16x1.5	10L	44	19	5	19	8,5x1.5
TR111-5-12	5/16"	8	M18x1.5	12L	44	19	5	22	10,5x1.5
TR111-6-10	3/8"	10	M16x1.5	10L	50	20	6.5	22	8,5x1.5
TR111-6-12	3/8"	10	M18x1.5	12L	50	22	6.5	22	10,5x1.5
TR111-6-15	3/8"	10	M22x1.5	15L	50	22	6.5	27	12x2
TR111-8-12	1/2"	12	M18x1.5	12L	62	23	9.5	22	10,5x1.5
TR111-8-15	1/2"	12	M22x1.5	15L	60	28	9.5	27	12x2
TR111-8-18	1/2"	12	M26x1.5	18L	68	30	9.5	32	16x2
TR111-10-18	5/8"	16	M26x1.5	18L	70	30	11.5	32	16x2
TR111-12-22	3/4"	20	M30x2	22L	80	35	14.5	36	20x2
TR111-16-28	1"	25	M36x2	28L	98	40	19.5	41	26x2
TR111-16-35	1"	25	M45x2	35L	95	40	19.5	50	32x2.5
TR111-20-35	1 1/4"	32	M45x2	35L	105	47	24.5	50	32x2.5
TR111-20-42	1 1/4"	32	M52x2	42L	118	47	24.5	60	39x2.5
TR111-24-42	1 1/2"	40	M52x2	42L	125	48	29.5	60	39x2.5

Metrik 24° TIPL

Metrik Somunlu 90° Hortum Rakorları

90° Metric Female 24° Cone with O-Ring (Light) DIN3865 - DKOL 90



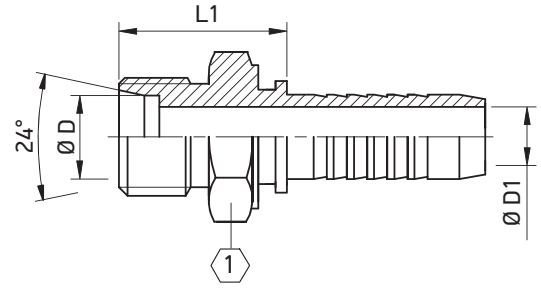
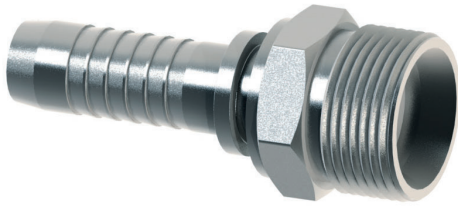
Kod No Part Number	Hortum İç Çapı Hose Inside Diameter		Dış Ölçüsü Thread		Boyut Ölçüleri (mm) Dimensions in (mm)				
ID No	Size	DN	Thread	Ø D	L1	H	Ø D1	①	O-RİNG
TR112-3-6	3/16"	5	M12x1.5	6L	30	33	3	14	4,5x1.5
TR112-3-8	3/16"	5	M14x1.5	8L	30	33	3	17	6,5x1.5
TR112-4-6	1/4"	6	M12x1.5	6L	32	35	4	17	4,5x1.5
TR112-4-8	1/4"	6	M14x1.5	8L	32	35	4	17	6,5x1.5
TR112-4-10	1/4"	6	M16x1.5	10L	35	35	4	19	8.5x1.5
TR112-4-12	1/4"	6	M18x1.5	12L	35	34	4	22	10.5x1.5
TR112-5-8	5/16"	8	M14x1.5	8L	34	36	5	19	6,5x1.5
TR112-5-10	5/16"	8	M16x1.5	10L	36	34	5	19	8.5x1.5
TR112-5-12	5/16"	8	M18x1.5	12L	36	36	5	22	10.5x1.5
TR112-6-10	3/8"	10	M16x1.5	10L	35	40	6.5	22	8.5x1.5
TR112-6-12	3/8"	10	M18x1.5	12L	38	40	6.5	22	10.5x1.5
TR112-6-15	3/8"	10	M22x1.5	15L	38	38	6.5	27	12x2
TR112-8-12	1/2"	12	M18x1.5	12L	35	35	9.5	22	10.5x1.5
TR112-8-15	1/2"	12	M22x1.5	15L	46	46	9.5	27	15x2
TR112-8-18	1/2"	12	M26x1.5	18L	56	58	9.5	27	16x2
TR112-10-18	5/8"	16	M26x1.5	18L	58	53	11.5	22	16x2
TR112-12-22	3/4"	20	M30x2	22L	65	60	14.5	36	20x2
TR112-16-28	1"	25	M36x2	28L	80	75	19.5	41	26x2
TR112-16-35	1"	25	M45x2	35L	80	75	19.5	50	32x2.5
TR112-20-35	1"1/4	32	M45x2	35L	80	80	24.5	50	32x2.5
TR112-20-42	1"1/4	32	M52x2	42L	80	80	24.5	60	39x2.5
TR112-24-42	1"1/2	40	M52x2	42L	100	100	29.5	60	39x2.5

TR 113

Metrik 24° Tip L

Metrik Erkek Hortum Rakorları

Metric Male 24° Cone (Light) DIN3853 - CEL



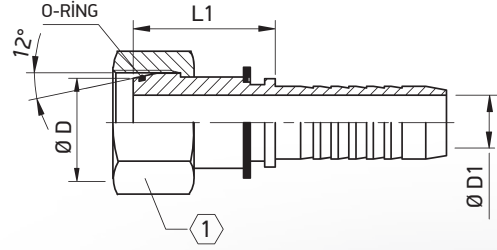
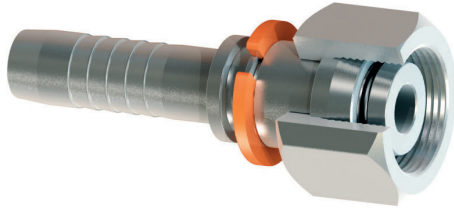
Kod No Part Number	Hortum İç Çapı Hose Inside Diameter		Diş Ölçüsü Thread		Boyut Ölçüleri (mm) Dimensions in (mm)		
	Size	DN	Thread	Ø D	L1	Ø D1	①
TR113-3-6	3/16"	5	M12x1.5	6L	20	3	12
TR113-3-8	3/16"	5	M14x1.5	8L	21	3	14
TR113-4-6	1/4"	5	M12x1.5	6L	21.5	4	14
TR113-4-8	1/4"	6	M14x1.5	8L	21.5	4	14
TR113-4-10	1/4"	6	M16x1.5	10L	22.5	4	17
TR113-4-12	1/4"	4	M18x1.5	12L	23.5	4	19
TR113-5-8	5/16"	8	M14x1.5	8L	21.5	5	14
TR113-5-10	5/16"	8	M16x1.5	10L	23	5	17
TR113-5-12	5/16"	8	M18x1.5	12L	23.5	5	19
TR113-6-10	3/8"	10	M16x1.5	10L	23.5	6.5	17
TR113-6-12	3/8"	10	M18x1.5	12L	24.5	6.5	19
TR113-6-15	3/8"	10	M22x1.5	15L	24	6.5	22
TR113-8-12	1/2"	12	M18x1.5	12L	25.5	9.5	19
TR113-8-15	1/2"	12	M22x1.5	15L	25.5	9.5	22
TR113-8-18	1/2"	12	M26x1.5	18L	28	9.5	27
TR113-10-18	5/8"	16	M26x1.5	18L	29	11.5	27
TR113-12-22	3/4"	20	M30x2	22L	31	14.5	32
TR113-16-28	1"	25	M36x2	28L	31	19.5	36
TR113-16-35	1"	25	M45x2	35L	37.5	19.5	46
TR113-20-35	1 1/4"	32	M45x2	35L	41.5	24.5	46
TR113-20-42	1 1/4"	42	M52x2	42L	38.5	24.5	55
TR113-24-42	1 1/2"	40	M52x2	42L	41.5	29.5	55

TR 120

Metrik 24° Tip S

Metrik Somunlu Hortum Rakorları

Metric Female 24° Cone with O-Ring (Heavy) DIN3865 - DKOS



Kod No Part Number	Hortum İç Çapı Hose Inside Diameter		Dış Ölçüsü Thread		Boyut Ölçüleri (mm) Dimensions in (mm)			
ID No	Size	DN	Thread	Ø D	L1	Ø D1	①	O-RING
TR120-4-6	1/4"	6	M14x1.5	6S	23.5	4	17	4,5x1.5
TR120-4-8	1/4"	6	M16x1.5	8S	24.5	4	19	6,5x1.5
TR120-5-12	5/16"	8	M20x1.5	12S	26,5	5	24	10.5x1.5
TR120-6-10	3/8"	10	M18x1.5	10S	25	6.5	22	8.5x1.5
TR120-6-12	3/8"	10	M20x1.5	12S	27	6.5	24	10.5x1.5
TR120-6-16	3/8"	10	M24x1.5	16S	31	6.5	30	14x2
TR120-8-12	1/2"	12	M20x1.5	12S	24	9.5	24	10.5x1.5
TR120-8-16	1/2"	12	M24x1.5	16S	32	9.5	30	14x2
TR120-10-20	5/8"	16	M30x2	20S	37	11.5	36	17x2.5
TR120-12-20	3/4"	20	M30x2	20S	37	14.5	36	17x2.5
TR120-12-25	3/4"	20	M36x2	25S	40	14.5	46	22x2.5
TR120-16-25	1"	25	M36x2	25S	40	19.5	46	22x2.5
TR120-16-30	1"	25	M42x2	30S	41	19.5	50	27x2.5
TR120-20-30	1"1/4	32	M42x2	30S	39	23.5	50	27x2.5
TR120-20-38	1"1/4	32	M52x2	38S	47	24.5	60	35x2.5
TR120-24-38	1"1/2	40	M52x2	38S	47	29.5	60	35x2.5

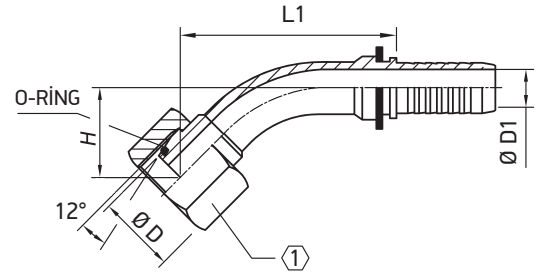
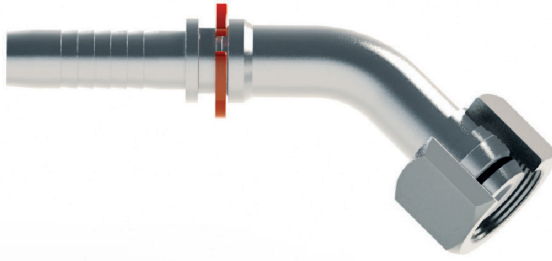
Metrik 24° TIPS

TR 121

Metrik 24° Tip S

Metrik Somunlu 45° Hortum Rakorları

45° Metric Female 24° Cone with O-Ring (Heavy) DIN3865 - DKOS 45



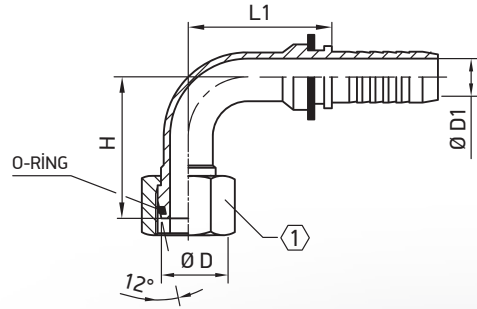
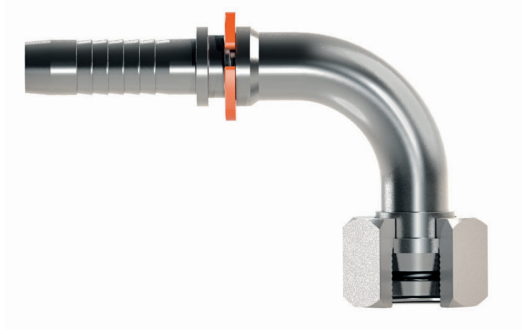
Kod No Part Number	Hortum İç Çapı Hose Inside Diameter		Dış Ölçüsü Thread		Boyut Ölçüleri (mm) Dimensions in (mm)				
ID No	Size	DN	Thread	Ø D	L1	H	Ø D1	①	O-RİNG
TR121-4-6	1/4"	6	M14x1.5	6S	40	16	4	17	4,5x1.5
TR121-4-8	1/4"	6	M16x1.5	8S	42	18	4	19	6,5x1.5
TR121-5-12	5/16"	8	M20x1.5	12S	44	18	5	24	10,5x1.5
TR121-6-10	3/8"	10	M18x1.5	10S	50	24	6.5	22	8,5x1.5
TR121-6-12	3/8"	10	M20x1.5	12S	46	23	6.5	24	10,5x1.5
TR121-6-16	3/8"	10	M24x1.5	16S	50	25	6.5	30	14x2
TR121-8-12	1/2"	12	M20x1.5	12S	60	25	9.5	24	10,5x1.5
TR121-8-16	1/2"	12	M24x1.5	16S	60	25	9.5	30	14x2
TR121-10-20	5/8"	16	M30x2	20S	72	30	11.5	36	17x2.5
TR121-12-20	3/4"	20	M30x2	20S	75	35	14.5	36	17x2.5
TR121-12-25	3/4"	20	M36x2	25S	80	35	14.5	46	22x2.5
TR121-16-25	1"	25	M36x2	25S	100	45	19.5	46	22x2.5
TR121-16-30	1"	25	M42x2	30S	100	45	24.5	50	27x2.5
TR121-20-30	1 1/4"	32	M42x2	30S	106	44	24.5	50	27x2.5
TR121-20-38	1 1/4"	32	M52x2	38S	106	44	29.5	60	35x2.5
TR121-24-38	1 1/2"	40	M52x2	38S	130	48	29.5	60	35x2.5

TR 122

Metrik 24° Tip S

Metrik Somunlu 90° Hortum Rakorları

90° Metric Female 24° Cone with O-Ring (Heavy) DIN 3865 - DKOS 90



Kod No Part Number	Hortum İç Çapı Hose Inside Diameter		Diş Ölçüsü Thread		Boyut Ölçüleri (mm) Dimensions in (mm)				
ID No	Size	DN	Thread	Ø D	L1	H	Ø D1	①	O-RING
TR122-4-6	1/4"	6	M14x1.5	6S	30	33	4	17	4,5x1.5
TR122-4-8	1/4"	6	M16x1.5	8S	33	34	4	19	6,5x1.5
TR122-5-12	5/16"	8	M20x1.5	12S	36	34	5	24	10.5x1.5
TR122-6-10	3/8"	10	M18x1.5	10S	33	40	6.5	22	8.5x1.5
TR122-6-12	3/8"	10	M20x1.5	12S	35	45	6.5	24	10.5x1.5
TR122-6-16	3/8"	10	M24x1.5	16S	40	45	6.5	30	14x2
TR122-8-12	1/2"	12	M24x1.5	12S	46	46	9.5	24	10.5x1.5
TR122-8-16	1/2"	12	M24x1.5	16S	46	46	9.5	30	14x2
TR122-10-20	5/8"	16	M30x2	20S	58	60	11.5	36	17x2.5
TR122-12-20	3/4"	20	M30x2	20S	65	70	14.5	36	17x2.5
TR122-12-25	3/4"	20	M36x2	25S	70	70	14.5	46	22x2.5
TR122-16-25	1"	25	M36x2	25S	78	82	19,5	46	22x2.5
TR122-16-30	1"	25	M42x2	30S	78	82	19,5	50	27x2.5
TR122-20-30	1"1/4	32	M42x2	30S	85	92	24.5	50	27x2.5
TR122-20-38	1"1/4	32	M52x2	38S	85	92	24.5	60	35x2.5
TR122-24-38	1"1/2	40	M52x2	38S	100	100	29.5	60	35x2.5

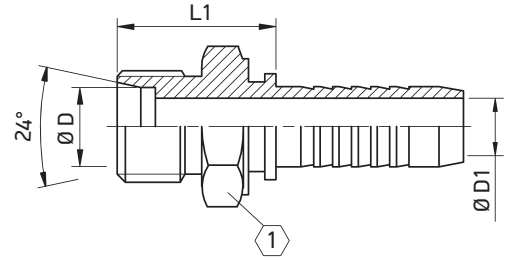
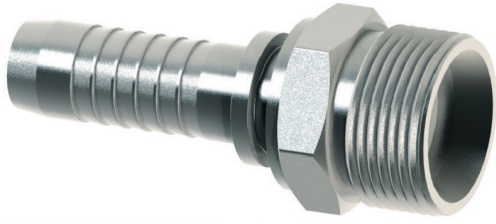
Metrik 24° TIPS

TR 123

Metrik 24° Tip S

Metrik Erkek Hortum Rakorları

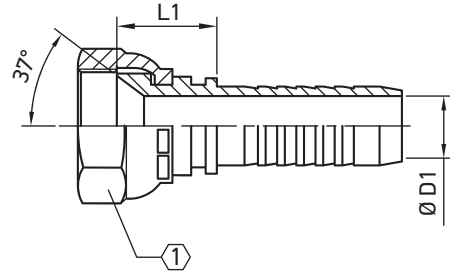
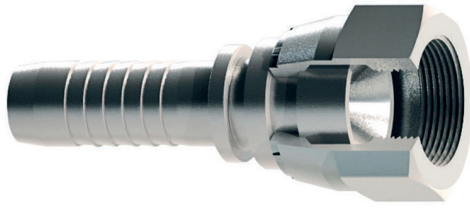
Metric Male 24° Cone (Heavy) DIN3853 - CES



Kod No Part Number	Hortum İç Çapı Hose Inside Diameter		Diş Ölçüsü Thread		Boyut Ölçüleri (mm) Dimensions in (mm)		
ID No	Size	DN	Thread	Ø D	L1	Ø D1	①
TR123-4-6	1/4"	6	M14x1.5	6S	24.5	4	14
TR123-4-8	1/4"	6	M16x1.5	8S	24.5	4	17
TR123-5-12	5/16"	8	M20x1.5	12S	25	5	22
TR123-6-10	3/8"	10	M18x1.5	10S	25.5	6.5	19
TR123-6-12	3/8"	10	M20x1.5	12S	25.5	6.5	22
TR123-6-14	3/8"	10	M22x1.5	14S	27	6.5	24
TR123-6-16	3/8"	10	M24x1.5	16S	27	6.5	24
TR123-8-12	1/2"	12	M20x1.5	12S	27	9.5	22
TR123-8-14	1/2"	12	M22x1.5	14S	29	9.5	24
TR123-8-16	1/2"	12	M24x1.5	16S	29	9.5	24
TR123-10-16	5/8"	16	M24x1.5	16S	31	11.5	24
TR123-10-20	5/8"	16	M30x2	20S	36	11.5	32
TR123-12-20	3/4"	20	M30x2	20S	36.5	14.5	32
TR123-12-25	3/4"	20	M36x2	25S	39.5	14.5	36
TR123-16-25	1"	25	M36x2	25S	40.5	19.5	36
TR123-16-30	1"	25	M42x2	30S	41.5	19.5	46
TR123-20-30	1"1/4"	32	M42x2	30S	44.5	24.5	46
TR123-20-38	1"1/4"	32	M52x2	38S	49.5	24.5	55
TR123-24-38	1"1/2"	40	M52x2	38S	49.5	29.5	55

UNF Somunlu Hortum Rakorları

JIC Female 37° Seat DKJ



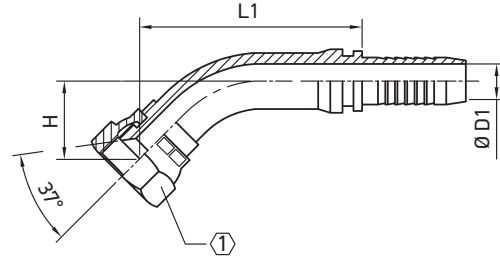
Kod No Part Number	Hortum İç Çapı Hose Inside Diameter		Dış Ölçüsü Thread	Boyut Ölçüleri (mm) Dimensions in (mm)		
ID No	Size	DN	Thread	L1	Ø D1	①
TR150-3-4S	3/16"	5	7/16"-20	17	3	14
TR150-4-4S	1/4"	6	7/16"-20	16.5	4	14
TR150-4-5S	1/4"	6	1/2"-20	17	4	17
TR150-4-6S	1/4"	6	9/16"-18	18	4	19
TR150-5-5S	5/16"	8	1/2"-20	17	5	17
TR150-5-6S	5/16"	8	9/16"-18	18	5	19
TR150-5-7S	5/16"	8	5/8"-18	18	5	22
TR150-5-8S	5/16"	8	3/4"-16	19.5	5	24
TR150-6-6S	3/8"	10	9/16"-18	18.5	6.5	19
TR150-6-7S	3/8"	10	5/8"-18	18.5	6.5	22
TR150-6-8S	3/8"	10	3/4"-16	20	6.5	24
TR150-6-10S	3/8"	10	7/8"-14	22	6.5	27
TR150-8-8S	1/2"	12	3/4"-16	21	9.5	24
TR150-8-10S	1/2"	12	7/8"-14	22.5	9.5	27
TR150-8-12S	1/2"	12	1"1/16-12	24	9.5	32
TR150-10-10S	5/8"	16	7/8"-14	24	11.5	27
TR150-10-12S	5/8"	16	1"1/16-12	28	11.5	32
TR150-12-12S	3/4"	20	1"1/16-12	25	14.5	32
TR150-12-16S	3/4"	20	1"5/16-12	27	14.5	41
TR150-16-12S	1"	25	1"1/16-12	25	19.5	32
TR150-16-16S	1"	25	1"5/16-12	27	19.5	41
TR150-20-20S	1"1/4	32	1"5/8-12	32.5	24.5	50
TR150-24-24S	1"1/2	40	1"7/8-12	35	29.5	55
TR150-32-32S	2"	50	2"1/2-12	40	42.5	75

TR 151

UNF 37°

UNF Somunlu 45° Hortum Rakorları

45° JIC Female 37° Seat
DKJ 45

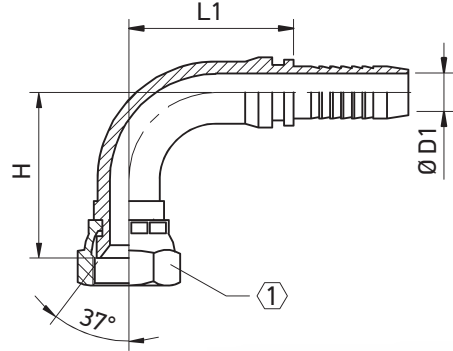


Kod No Part Number	Hortum İç Çapı Hose Inside Diameter		Diş Ölçüsü Thread	Boyut Ölçüleri (mm) Dimensions in (mm)			
ID No	Size	DN	Thread	H	L1	Ø D1	①
TR151-3-4S	3/16"	5	7/16"-20	17	42	3	14
TR151-4-4S	1/4"	6	7/16"-20	18	42	4	14
TR151-4-5S	1/4"	6	1/2"-20	20	41	4	17
TR151-4-6S	1/4"	6	9/16"-18	18	41	4	19
TR151-5-5S	5/16"	8	1/2"-20	20	42	5	17
TR151-5-6S	5/16"	8	9/16"-18	22	45	5	19
TR151-5-7S	5/16"	8	5/8"-18	22	45	5	22
TR151-5-8S	5/16"	5	3/4"-16	24	41	5	24
TR151-6-6S	3/8"	10	9/16"-18	22	45	6.5	19
TR151-6-7S	3/8"	10	5/8"-18	22	45	6.5	22
TR151-6-8S	3/8"	10	3/4"-16	25	50	6.5	24
TR151-6-10S	3/8"	10	7/8"-14	27	60	6.5	27
TR151-8-8S	1/2"	12	3/4"-16	25	60	9.5	24
TR151-8-10S	1/2"	12	7/8"-14	28	65	9.5	27
TR151-8-12S	1/2"	12	1"1/16-12	30	65	9.5	32
TR151-10-10S	5/8"	16	7/8"-14	28	65	11.5	27
TR151-10-12S	5/8"	16	1"1/16-12	30	65	11.5	32
TR151-12-12S	3/4"	20	1"1/16-12	32	80	14.5	32
TR151-12-16S	3/4"	20	1"5/16-12	32	80	14.5	41
TR151-16-12S	1"	25	1"1/16-12	35	75	19.5	32
TR151-16-16S	1"	25	1"5/16-12	35	90	19.5	41
TR151-20-20S	1"1/4	32	1"5/8-12	40	100	24.5	50
TR151-24-24S	1"1/2	40	1"7/8-12	50	120	29.5	55
TR151-32-32S	2"	50	2"1/2-12	60	150	42.5	75

UNF 37°

UNF Somunlu 90° Hortum Rakorları

90° JIC Female 37° Seat DKJ 90



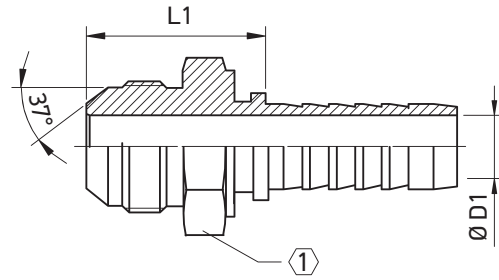
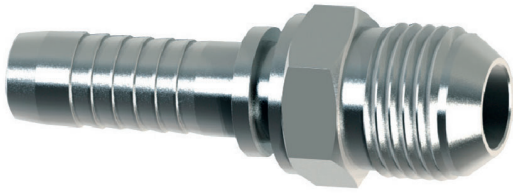
Kod No Part Number	Hortum İç Çapı Hose Inside Diameter		Diş Ölçüsü Thread	Boyut Ölçüleri (mm) Dimensions in (mm)			
ID No	Size	DN	Thread	H	L1	Ø D1	①
TR152-3-4S	3/16"	5	7/16"-20	26	32	3	14
TR152-4-4S	1/4"	6	7/16"-20	32	32	4	14
TR152-4-5S	1/4"	6	1/2"-20	32	32	4	17
TR152-4-6S	1/4"	6	9/16"-18	32	32	4	19
TR152-5-5S	5/16"	8	1/2"-20	32	35	5	17
TR152-5-6S	5/16"	8	9/16"-18	35	30	5	19
TR152-5-7S	5/16"	8	5/8"-18	30	37	5	22
TR152-5-8S	5/16"	8	3/4"-16	36	37	5	24
TR152-6-6S	3/8"	10	9/16"-18	36	38	6.5	19
TR152-6-7S	3/8"	10	5/8"-18	35	38	6.5	22
TR152-6-8S	3/8"	10	3/4"-16	36	36	6.5	24
TR152-6-10S	3/8"	10	7/8"-14	40	42	6.5	27
TR152-8-8S	1/2"	12	3/4"-16	45	45	9.5	24
TR152-8-10S	1/2"	12	7/8"-14	45	45	9.5	27
TR152-8-12S	1/2"	12	1"1/16-12	45	47	9.5	32
TR152-10-10S	5/8"	16	7/8"-14	57	57	11.5	27
TR152-10-12S	5/8"	16	1"1/16-12	53	60	11.5	32
TR152-12-12S	3/4"	20	1"1/16-12	60	65	14.5	32
TR152-12-16S	3/4"	20	1"5/16-12	65	65	14.5	41
TR152-16-12S	1"	25	1"1/16-12	65	75	19.5	32
TR152-16-16S	1"	25	1"5/16-12	65	75	19.5	41
TR152-20-20S	1"1/4	32	1"5/8-12	80	80	24.5	50
TR152-24-24S	1"1/2	40	1"7/8-12	100	100	29.5	55
TR152-32-32S	2"	50	2"1/2-12	120	135	42.5	75

TR 153

UNF 37°

UNF Erkek Hortum Rakorları

JIC Male 37° Seat
AGJ

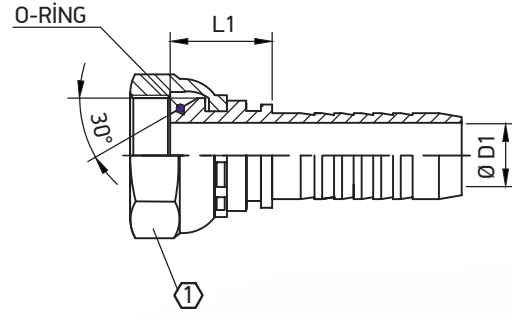
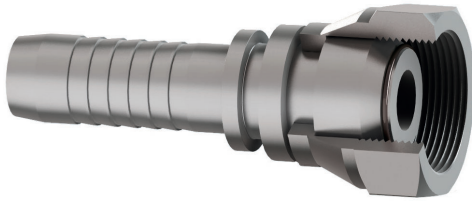


Kod No Part Number	Hortum İç Çapı Hose Inside Diameter		Diş Ölçüsü Thread	Boyut Ölçüleri (mm) Dimensions in (mm)		
ID No	Size	DN	Thread	L1	Ø D1	①
TR153-3-4S	3/16"	5	7/16"-20	24.7	3	12
TR153-4-4S	1/4"	6	7/16"-20	25	4	12
TR153-4-5S	1/4"	6	1/2"-20	26	4	14
TR153-4-6S	1/4"	6	9/16"-18	26	4	17
TR153-5-6S	5/16"	8	9/16"-18	26	5	17
TR153-5-7S	5/16"	8	5/8"-18	27	5	17
TR153-6-6S	3/8"	10	9/16"-18	26.5	6.5	17
TR153-6-7S	3/8"	10	5/8"-18	27.5	6.5	17
TR153-6-8S	3/8"	10	3/4"-16	30.5	6.5	19
TR153-6-10S	3/8"	10	7/8"-14	34.5	6.5	22
TR153-8-8S	1/2"	12	3/4"-16	31	9.5	22
TR153-8-10S	1/2"	12	7/8"-14	35.5	9.5	22
TR153-8-12S	1/2"	12	1"1/16-12	41	9.5	27
TR153-10-10S	5/8"	16	7/8"-14	36.5	11.5	24
TR153-10-12S	5/8"	16	1"1/16-12	42	11.5	27
TR153-12-12S	3/4"	20	1"1/16-12	42	14.5	32
TR153-16-12S	1"	25	1"1/16-12	42	19.5	32
TR153-16-16S	1"	25	1"5/16-12	43	19.5	36
TR153-20-20S	1"1/4"	32	1"5/8-12	49	24.5	46
TR153-24-24S	1"1/2"	40	1"7/8-12	55	29.5	50
TR153-32-32S	2"	50	2"1/2-12	62	42.5	65

UNF 37°

BSP Somunlu Hortum Rakorları

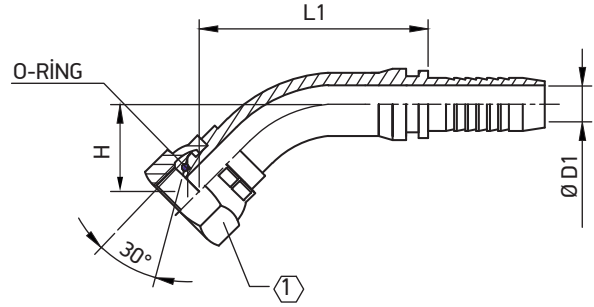
BSP Female 60° Cone with O-Ring DKOR



Kod No Part Number	Hortum İç Çapı Hose Inside Diameter		Diş Ölçüsü Thread	Boyut Ölçüleri (mm) Dimensions in (mm)		
ID No	Size	DN	Thread	L1	Ø D1	①
TR160-3-2	3/16"	5	G1/8"-28	17	3	14
TR160-3-4	3/16"	5	G1/4"-19	17.5	3	19
TR160-4-2	1/4"	6	G1/8"-28	19	4	14
TR160-4-4	1/4"	6	G1/4"-19	19	4	19
TR160-5-4	5/16"	8	G1/4"-19	19	5	19
TR160-5-6	5/16"	8	G3/8"-19	20.5	5	22
TR160-5-8	5/16"	8	G1/2"-14	25	5	27
TR160-6-4	3/8"	10	G1/4"-19	19.5	6.5	19
TR160-6-6	3/8"	10	G3/8"-19	21	6.5	22
TR160-6-8	3/8"	10	G1/2"-14	25.5	6.5	27
TR160-8-6	1/2"	12	G3/8"-19	23	9.5	22
TR160-8-8	1/2"	12	G1/2"-14	25.5	9.5	27
TR160-8-10	1/2"	12	G5/8"-14	27	9.5	30
TR160-10-10	5/8"	16	G5/8"-14	28	11.5	30
TR160-10-12	5/8"	16	G3/4"-14	29	11.5	32
TR160-12-12	3/4"	20	G3/4"-14	29	14.5	32
TR160-12-16	3/4"	20	G1"-11	29	14.5	41
TR160-16-16	1"	25	G1"-11	29	19.5	41
TR160-16-20	1"	25	G1 1/4"-11	34	19.5	50
TR160-20-20	1 1/4"	32	G1 1/4"-11	37	24.5	50
TR160-24-24	1 1/2"	40	G1 1/2"-11	38	29.5	55
TR160-32-32	2"	50	G2"-11	37.5	42.5	70
TR160-40-40	2 1/2"	63	G2 1/2"-11	44.5	55	85
TR160-48-48	3"	76	G3"-11	46	66	100

BSP Somunlu 45° Hortum Rakorları

45° BSP Female 60° Cone with O-Ring DKOR 45



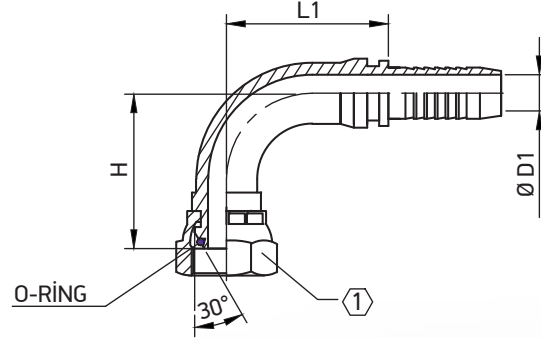
Kod No Part Number	Hortum İç Çapı Hose Inside Diameter		Diş Ölçüsü Thread	Boyut Ölçüleri (mm) Dimensions in (mm)			
ID No	Size	DN	Thread	H	L1	Ø D1	①
TR161-3-2	3/16"	5	G1/8"-28	16	42	3	14
TR161-3-4	3/16"	5	G1/4"-19	17	42	3	19
TR161-4-2	1/4"	6	G1/8"-28	17	42	4	14
TR161-4-4	1/4"	6	G1/4"-19	16	42	4	19
TR161-5-4	5/16"	8	G1/4"-19	24	42	5	19
TR161-5-6	5/16"	8	G3/8"-19	24	42	5	22
TR161-5-8	5/16"	8	G1/2"-14	24	42	5	27
TR161-5-4	3/8"	10	G1/4"-19	21	43	6.5	19
TR161-6-6	3/8"	10	G3/8"-19	21	43	6.5	22
TR161-6-8	3/8"	10	G1/2"-14	25	52	6.5	27
TR161-8-6	1/2"	12	G3/8"-19	28	60	9.5	22
TR161-8-8	1/2"	12	G1/2"-14	28	60	9.5	27
TR161-8-10	1/2"	12	G5/8"-14	25	60	9.5	30
TR161-10-10	5/8"	16	G5/8"-14	30	70	11.5	30
TR161-10-12	5/8"	16	G3/4"-14	36	70	11.5	32
TR161-12-12	3/4"	20	G3/4"-14	30	80	14.5	32
TR161-12-16	3/4"	20	G1"-14	30	85	14.5	41
TR161-16-16	1"	25	G1"-11	40	100	19.5	41
TR161-16-20	1"	25	G1"1/4-11	40	100	19.5	50
TR161-20-20	1"1/4"	32	G1"1/4-11	48	115	24.5	50
TR161-24-24	1"1/2"	40	G1"1/2-11	55	125	29.5	55
TR161-32-32	2"	50	G2"-11	60	140	42.5	70
TR161-40-40	2"1/2"	63	G2"1/2-11	80	150	55	85
TR161-48-48	3"	76	G3"-11	85	160	65	100

TR 162

BSP 60°

BSP Somunlu 90° Hortum Rakorları

90° BSP Female 60° Cone with O-Ring DKOR 90



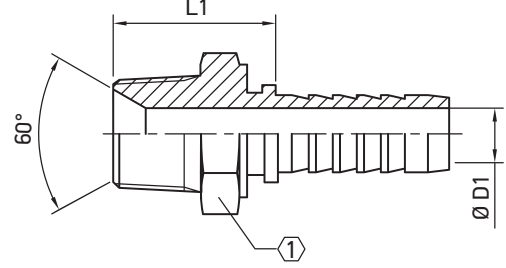
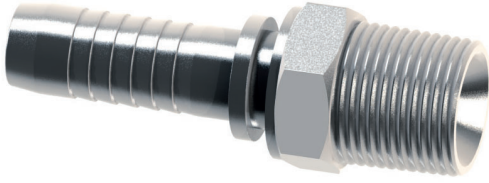
Kod No Part Number	Hortum İç Çapı Hose Inside Diameter		Diş Ölçüsü Thread	Boyut Ölçüleri (mm) Dimensions in (mm)			
ID No	Size	DN	Thread	H	L1	Ø D1	①
TR162-3-2	3/16"	5	G1/8"-28	30	33	3	14
TR162-3-4	3/16"	5	G1/4"-19	30	33	3	19
TR162-4-2	1/4"	6	G1/8"-28	32	32	3	14
TR162-4-4	1/4"	6	G1/4"-19	35	32	4	19
TR162-5-4	5/16"	8	G1/4"-19	35	35	5	19
TR162-5-6	5/16"	8	G3/8"-19	42	35	5	22
TR162-5-8	5/16"	8	G1/2"-14	42	35	5	27
TR162-6-4	3/8"	10	G1/4"-19	35	35	5	19
TR162-6-6	3/8"	10	G3/8"-19	42	35	6.5	22
TR162-6-8	3/8"	10	G1/2"-14	35	36	6.5	27
TR162-8-8	1/2"	12	G1/2"-14	44	42	9.5	27
TR162-8-10	1/2"	12	G5/8"-14	50	50	9.5	30
TR162-10-10	5/8"	16	G5/8"-14	50	50	11.5	30
TR162-10-12	5/8"	16	G3/4"-14	55	55	11.5	32
TR162-12-12	3/4"	20	G3/4"-14	70	65	14.5	32
TR162-12-16	3/4"	20	G1"-11	68	70	14.5	41
TR162-16-16	1"	25	G1"-11	70	80	19.5	41
TR162-16-20	1"	25	G1"1/4-11	80	92	19.5	50
TR162-20-20	1"1/4	32	G1"1/4-11	92	80	24.5	50
TR162-24-24	1"1/2	40	G1"1/2-11	105	100	29.5	55
TR162-32-32	2"	50	G2"-11	125	130	42.5	70
TR162-40-40	2"1/2	63	G2"1/2-11	125	130	55	85
TR162-48-48	3"	76	G3"-11	130	130	65	100

TR 163

NPT 60°

NPT Erkek Hortum Rakorları

NPT Male 60° Cone AGR

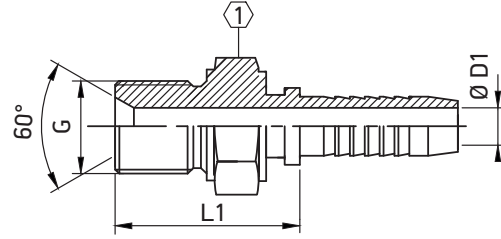
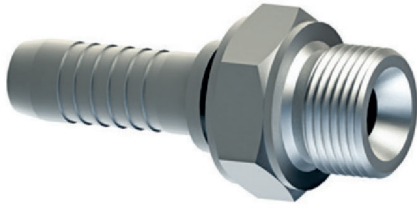


Kod No Part Number	Hortum İç Çapı Hose Inside Diameter		Diş Ölçüsü Thread	Boyut Ölçüleri (mm) Dimensions in (mm)		
ID No	Size	DN	Thread	L1	Ø D1	①
TR163-3-2	3/16"	5	G1/8"-28	20	3	12
TR163-4-2	1/4"	6	G1/8"-28	20.5	4	12
TR163-4-4	1/4"	6	G1/4"-19	25.5	4	14
TR163-5-4	5/16"	8	G1/4"-19	25.5	5	14
TR163-5-8	5/16"	8	G1/2"-14	32	5	22
TR163-6-4	3/8"	10	G1/4"-19	26	6.5	17
TR163-6-6	3/8"	10	G3/8"-19	27	6.5	19
TR163-6-8	3/8"	10	G1/2"-14	32.5	6.5	22
TR163-8-6	1/2"	12	G3/8"-19	28	9.5	22
TR163-8-8	1/2"	12	G1/2"-14	33.5	9.5	22
TR163-8-10	1/2"	12	G5/8"-14	34	9.5	27
TR163-8-8-U	1/2"	12	G1/2"-14	44	9.5	27
TR163-10-10-U	5/8"	16	G5/8"-14	52	11.5	27
TR163-10-12	5/8"	16	G3/4"-14	38	11.5	32
TR163-12-12	3/4"	20	G3/4"-14	38	14.5	32
TR163-12-16	3/4"	20	G1"-14	45	14.5	36
TR163-16-16	1"	25	G1"-11	45	19.5	36
TR163-16-20	1"	25	G1"1/4-11	47	19.5	46
TR163-20-20	1"1/4	32	G1"1/4-11	50	24.5	46
TR163-24-24	1"1/2	40	G1"1/2-11	51	29.5	50
TR163-32-32	2"	50	G2"-11	54	42.5	65
TR163-40-40	2"1/2	63	G2"1/2-11	60.5	55	80
TR163-48-48	3"	76	G3"-11	61.5	66	95

NPT 60°

BSP Pul Sıkmalı Erkek Hortum Rakoru

BSP Male 60° Cone
AGR



Kod No Part Number	Hortum İç Çapı Hose Inside Diameter	Diş Ölçüsü Thread	Boyut Ölçüleri (mm) Dimensions in (mm)		
ID No	Size	Thread	L1	Ø D1	①
TR163/1-4-4	1/4"	G1/4"-19	25	6.5	19
TR163/1-6-6	3/8"	G3/8"-19	28	6.5	22
TR163/1-6-8	3/8"	G1/2"-14	31	6.5	27
TR163/1-8-8	1/2"	G1/2"-19	33	9.5	27
TR163/1-8-16	1/2"	G3/4"-14	35	9.5	32
TR163/1-10-12	5/8"	G3/4"-14	36	11.5	32
TR163/1-12-12	3/4"	G3/4"-14	36	14.5	32
TR163/1-12-16	3/4"	G1"-11	41	14.5	41
TR163/1-16-16	1"	G1"-11	41	19.5	41
TR163/1-16-20	1"	G1"1/4-11	44	19.5	50
TR163/1-20-20	1"1/4	G1"1/4-11	47	24.5	50

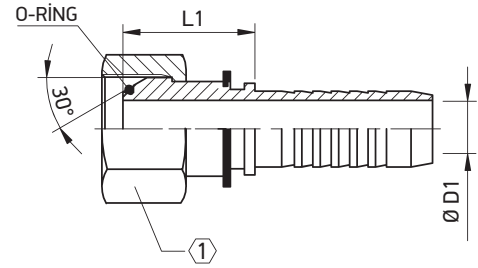
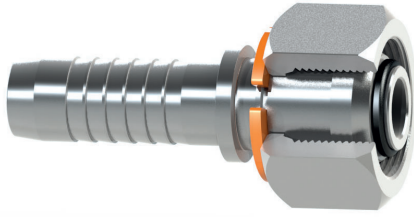
BSP 60°

TR 164

BSP 60° (JCB)

BSP Somunlu Hortum Rakorları (JCB)

BSP Female 60° Cone with O-Ring (JCB)



Kod No Part Number	Hortum İç Çapı Hose Inside Diameter		Diş Ölçüsü Thread	Boyut Ölçüleri (mm) Dimensions in (mm)			
	Size	DN		L1	Ø D1	①	O-RING
TR164-4-4	1/4"	6	G1/4"-19	21.5	4	19	6x1
TR164-6-6	3/8"	10	G3/8"-19	24	6.5	22	8x1.2
TR164-8-8	1/2"	12	G1/2"-14	26.5	9.5	27	10x1.6
TR164-10-10	5/8"	16	G5/8"-14	21.5	11.5	27	12x1.5
TR164-12-12	3/4"	20	G3/4"-14	22	14.5	32	14x1.5
TR164-16-16	1"	25	G1"-11	23	19.5	41	16x1.5

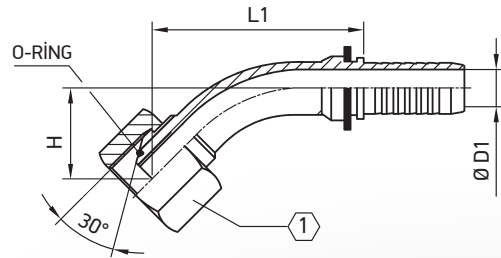
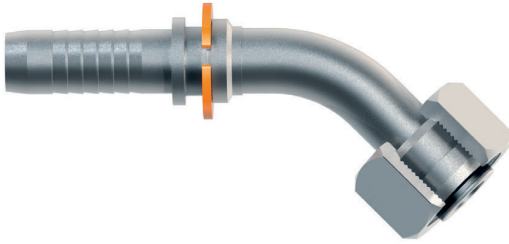
BSP 60° (JCB)

TR 165

BSP 60° (JCB)

BSP Somunlu 45° Hortum Rakorları (JCB)

45° BSP Female 60° Cone with O-Ring (JCB)



Kod No Part Number	Hortum İç Çapı Hose Inside Diameter		Diş Ölçüsü Thread	Boyut Ölçüleri (mm) Dimensions in (mm)				
	Size	DN		L1	H	Ø D1	①	O-RİNG
TR165-4-4	1/4"	6	G1/4"-19	35	20	4	19	6x1
TR165-6-6	3/8"	10	G3/8"-19	52	18	6.5	22	8x1.2
TR165-8-8	1/2"	12	G1/2"-14	64	24	9.5	27	10x1.6
TR165-10-10	5/8"	16	G5/8"-14	62	28	11.5	27	12x1.5
TR165-12-12	3/4"	20	G3/4"-14	75	32	14.5	32	14x1.5
TR165-16-16	1"	25	G1"-11	90	35	19.5	41	16x1.5

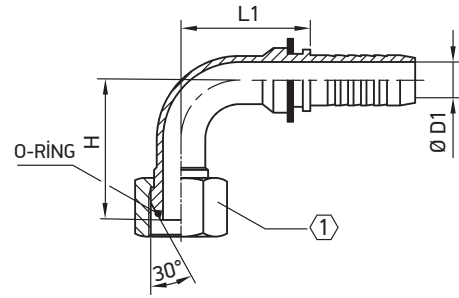
BSP 60° (JCB)

TR 166

BSP 60° (JCB)

BSP Somunlu 90° Hortum Rakorları (JCB)

90° BSP Female 60° Cone with O-Ring (JCB)



Kod No Part Number	Hortum İç Çapı Hose Inside Diameter		Diş Ölçüsü Thread	Boyut Ölçüleri (mm) Dimensions in (mm)				
ID No	Size	DN	Thread	L1	H	Ø D1	①	O-RİNG
TR166-4-4	1/4"	6	G1/4"-19	25	30	4	19	6x1
TR166-6-6	3/8"	10	G3/8"-19	38	42	6.5	22	8x1.2
TR166-8-8	1/2"	12	G1/2"-14	42	45	9.5	27	10x1.6
TR166-10-10	5/8"	16	G5/8"-14	55	50	11.5	27	12x1.5
TR166-12-12	3/4"	20	G3/4"-14	58	60	14.5	32	14x1.5
TR166-16-16	1"	25	G1"-11	68	75	19.5	41	16x1.5

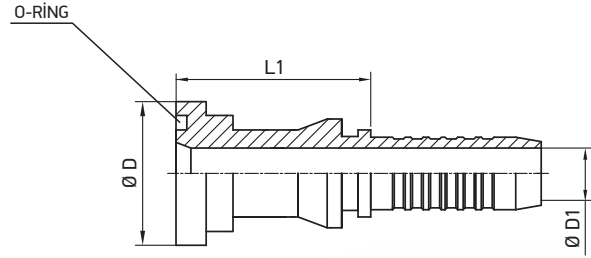
BSP 60° (JCB)

TR 170

SAE 3000 PSI

Flanşlı Hortum Rakorları

Flange SAE 3000 PSI J518
Code 61 SFL



Kod No Part Number	Hortum İç Çapı Hose Inside Diameter		Boyut Ölçüleri (mm) Dimensions in (mm)			
ID No	Size	DN	Ø D	L1	Ø D1	O-RİNG
TR170-8-8	1/2"	12	30.2	45	9.5	17x3.5
TR170-8-10	1/2"	12	31.8	44	9.5	18x3.5
TR170-8-12	1/2"	12	38.1	45	9.5	24x3.5
TR170-12-12	3/4"	20	38.1	62	14.5	24x3.5
TR170-12-16	3/4"	20	44.4	62	14.5	32x3.5
TR170-16-12	1"	25	38.1	62	19.5	24x3.5
TR170-16-16	1"	25	44.4	63	19.5	32x3.5
TR170-16-20	1"	25	50.8	63	19.5	37x3.5
TR170-16-24	1"	25	60.3	64	19.5	46x3.5
TR170-20-16	1 1/4"	32	44.4	75	24.5	37x3.5
TR170-20-20	1 1/4"	32	50.8	76	24.5	37x3.5
TR170-20-24	1 1/4"	32	60.3	76	24.5	46x3.5
TR170-24-24	1 1/2"	40	60.3	87	29.5	46x3.5
TR170-24-32	1 1/2"	40	71.4	88	29.5	55x3.5
TR170-32-32	2"	40	71.4	88	42.5	55x3.5
TR170-40-40	2 1/2"	63	84.1	76	54.5	68x3.5
TR170-48-48	3"	76	101.6	91	66	83x3.5

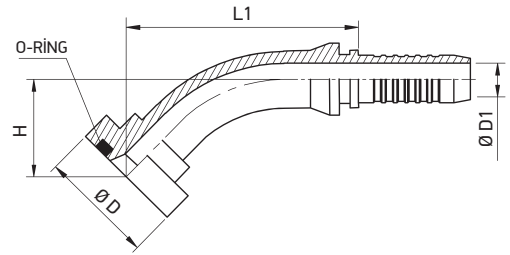
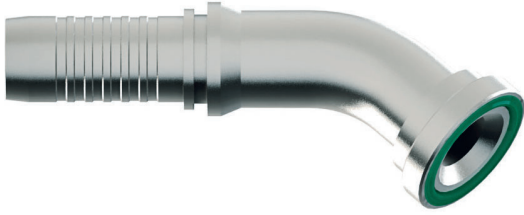
SAE 3000 PSI

TR 171

SAE 3000 PSI

Flanşlı 45° Hortum Rakorları

45° Flange SAE 3000 PSI J518
Code 61 SFL 45



Kod No Part Number	Hortum İç Çapı Hose Inside Diameter		Boyut Ölçüleri (mm) Dimensions in (mm)				
ID No	Size	DN	Ø D	H	L1	Ø D1	O-RİNG
TR171-8-8	1/2"	12	30.2	20	54	9.5	17x3.5
TR171-8-10	1/2"	12	31.8	20	55	9.5	18x3.5
TR171-8-12	1/2"	12	38.1	22	63	9.5	24x3.5
TR17M2-12	3/4"	20	38.1	27	71	14.5	24x3.5
TR171-12-16	3/4"	20	44.4	30	74	14.5	32x3.5
TR171-16-12	1"	25	38.1	30	86	19.5	24x3.5
TR171-16-16	1"	25	44.4	32	86	19.5	32x3.5
TR171-16-20	1"	25	50.8	32	86	19.5	37x3.5
TR171-16-24	1"	25	60.3	34	90	19.5	46x3.5
TR171-20-16	1 1/4"	32	44.4	35	90	24.5	32x3.5
TR171-20-20	1 1/4"	32	50.8	35	90	24.5	37x3.5
TR171-20-24	1 1/4"	32	60.3	35	100	24.5	46x3.5
TR171-24-24	1 1/2"	40	60.3	45	115	29.5	46x3.5
TR171-24-32	1 1/2"	40	71.4	45	115	29.5	55x3.5
TR171-32-32	2"	50	71.4	65	140	42.5	55x3.5
TR171-40-40	2 1/2"	63	84.1	80	150	54.5	68x3.5
TR171-48-48	3"	76	101.6	90	120	66	83x3.5

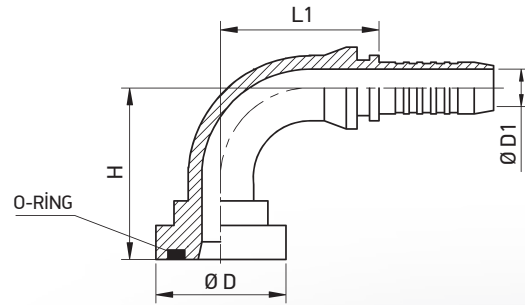
SAE 3000 PSI

TR 172

SAE 3000 PSI

Flanşlı 90° Hortum Rakorları

90° Flange SAE 3000 PSI J518
Code 61 SFL 90



Kod No Part Number	Hortum İç Çapı Hose Inside Diameter		Boyut Ölçüleri (mm) Dimensions in (mm)				
ID No	Size	DN	Ø D	H	L1	Ø D1	O-RİNG
TR172-8-8	1/2"	12	30.2	48	50	9.5	17x3.5
TR172-8-10	1/2"	12	31.8	48	50	9.5	18x3.5
TR172-8-12	1/2"	12	38.1	48	52	9.5	24x3.5
TR172-12-12	3/4"	20	38.1	57	62	14.5	24x3.5
TR172-12-16	3/4"	20	44.4	60	65	14.5	32x3.5
TR172-16-16	1"	25	44.4	65	82	19.5	32x3.5
TR172-16-20	1"	25	50.8	65	82	19.5	37x3.5
TR172-16-24	1"	25	60.3	65	85	19.5	46x3.5
TR172-20-16	1 1/4"	32	44.4	85	70	24.5	32x3.5
TR172-20-20	1 1/4"	32	50.8	85	76	24.5	37x1.5
TR172-20-24	1 1/4"	32	60.3	85	78	24.5	46x3.5
TR172-24-24	1 1/2"	40	60.3	100	90	29.5	46x3.5
TR172-24-32	1 1/2"	40	71.4	100	90	29.5	55x3.5
TR172-32-32	2"	50	71.4	125	130	42.5	55x3.5
TR172-40-40	2 1/2"	63	84.1	130	130	54.5	68x3.5
TR172-48-48	3"	70	101.6	110	110	66	83x3.5

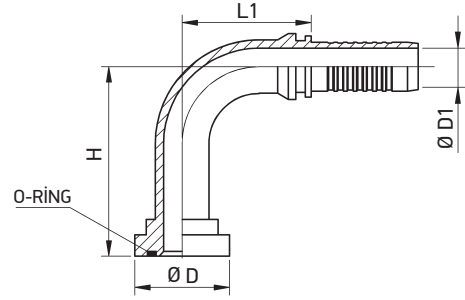
SAE 3000 PSI

TR 173

SAE 3000 PSI

Uzun Flanşlı 90° Hortum Rakorları

90° Flange SAE 3000 PSI J518 Code 61 (Long Type)
SFL 90



Kod No Part Number	Hortum İç Çapı Hose Inside Diameter		Boyut Ölçüleri (mm) Dimensions in (mm)				
ID No	Size	DN	Ø D	H	L1	Ø D1	O-RİNG
TR173 UB-12-12	3/4"	20	38.1	130	75	14.5	24x3.5
TR173 UB-12-16	3/4"	20	44.4	130	75	14.5	32x3.5
TR173 UB-16-12	1"	25	38.1	130	80	19.5	24x3.5
TR173 UB-16-16	1"	25	44.4	130	80	19.5	32x3.5
TR173 UB-16-20	1"	25	50.8	130	80	19.5	37x3.5
TR173 UB-20-20	1 1/4"	32	50.8	130	90	24.5	37x3.5

TR 183

SAE 6000 PSI

Uzun Flanşlı 90° Hortum Rakorları

90° Flange SAE 6000 PSI J518 Code 62 (Long Type)
SFS 90

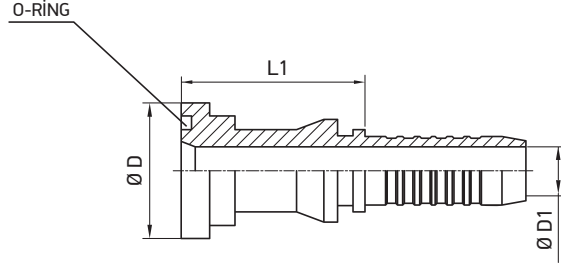
Kod No Part Number	Hortum İç Çapı Hose Inside Diameter		Boyut Ölçüleri (mm) Dimensions in (mm)				
ID No	Size	DN	Ø D	H	L1	Ø D1	O-RİNG
TR183 UB-12-12	3/4"	20	41.3	130	75	14.5	24x3.5
TR183 UB-16-12	1"	25	41.3	130	80	14.5	24x3.5
TR183 UB-16-16	1"	25	47.6	130	80	19.5	32x3.5
TR183 UB-16-20	1"	25	54	130	80	19.5	36x3.5
TR183 UB-20-16	1 1/4"	32	47.6	130	90	24.5	32x3.5
TR183 UB-20-20	1 1/4"	32	54	130	90	24.5	36x3.5

TR 180

SAE 6000 PSI

Flanşlı Hortum Rakorları

Flange SAE 6000 PSI J518
Code 62 SFS



Kod No Part Number	Hortum İç Çapı Hose Inside Diameter		Boyut Ölçüleri (mm) Dimensions in (mm)			
ID No	Size	DN	Ø D	L1	Ø D1	O-RİNG
TR180-8-10	1/2"	12	34.1	46	9.5	18x3.5
TR180-10-12	5/8"	16	41.3	54	11.5	25x3.5
TR180-12-12	3/4"	20	41.3	64	14.5	25x3.5
TR180-12-16	3/4"	20	47.6	64	14.5	32x3.5
TR180-16-12	1"	25	41.3	64	19.5	25x3.5
TR180-16-16	1"	25	47.6	64	19.5	32x3.5
TR180-16-20	1"	25	54	66	19.5	37x3.5
TR180-20-16	1 1/4"	32	47.6	78	24.5	32x3.5
TR180-20-20	1 1/4"	32	54	80	24.5	37x3.5

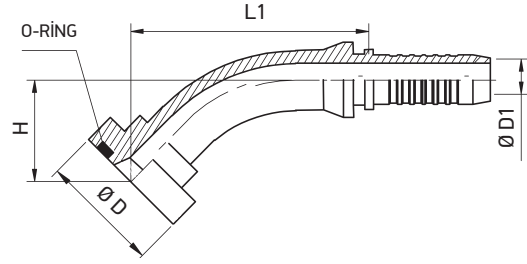
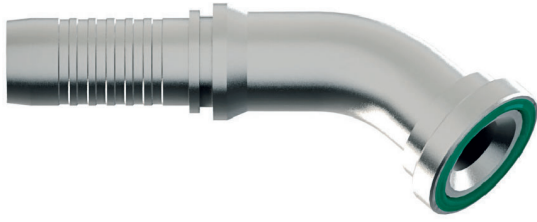
SAE 6000 PSI

TR 181

SAE 6000 PSI

Flanşlı 45° Hortum Rakorları

45° Flange SAE 6000 PSI J518 Code 62
SFS 45



Kod No Part Number	Hortum İç Çapı Hose Inside Diameter		Boyut Ölçüleri (mm) Dimensions in (mm)				
ID No	Size	DN	Ø D	H	L1	Ø D1	O-RİNG
TR181-8-10	1/2"	12	34.1	25	60	9.5	18x3.5
TR181-10-12	5/8"	16	41.3	30	65	11.5	25x3.5
TR181-12-12	3/4"	20	41.3	35	68	14.5	25x3.5
TR181-12-16	3/4"	20	47.6	32	76	14.5	32x3.5
TR181-16-12	1"	25	41.3	32	80	19.5	25x3.5
TR181-16-16	1"	25	47.6	36	98	19.5	32x3.5
TR181-16-20	1"	25	54	34	91	19.5	37x3.5
TR181-20-16	1 1/4"	32	47.6	40	100	24.5	32x3.5
TR181-20-20	1 1/4"	32	54	44	105	24.5	37x3.5

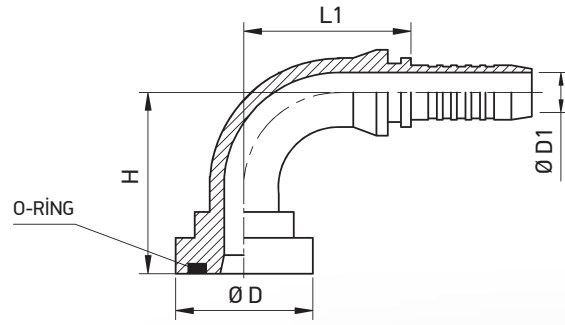
SAE 6000 PSI

TR 182

SAE 6000 PSI

Flanşlı 90° Hortum Rakorları

90° Flange SAE 6000 PSI J518 Code 62
SFS 90



Kod No Part Number	Hortum İç Çapı Hose Inside Diameter		Boyut Ölçüleri (mm) Dimensions in (mm)				
ID No	Size	DN	Ø D	H	L1	Ø D1	O-RİNG
TR182-8-10	1/2"	12	34.1	43	42	9.5	18x3.5
TR182-10-12	5/8"	16	41.3	62	49	11.5	25x3.5
TR182-12-12	3/4"	20	41.3	63	60	14.5	25x3.5
TR182-12-16	3/4"	20	47.6	65	61	14.5	32x3.5
TR182-16-12	1"	25	41.3	70	70	19.5	25x3.5
TR182-16-16	1"	25	47.6	72	80	19.5	32x3.5
TR182-16-20	1"	25	54	70	80	19.5	37x3.5
TR182-20-16	1 1/4"	32	47.6	80	90	24.5	32x3.5
TR182-20-20	1 1/4"	32	54	80	86	24.5	37x3.5

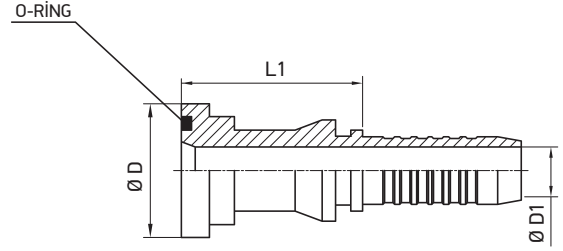
SAE 6000 PSI

TR 190

SAE 6000 PSI

Flanşlı Hortum Rakorları (Kalın Tip)

Flange SAE 6000 PSI J518 Code 62 (Thick Type)
SFS



Kod No Part Number	Hortum İç Çapı Hose Inside Diameter		Boyut Ölçüleri (mm) Dimensions in (mm)			
ID No	Size	DN	Ø D	L1	Ø D1	O-RİNG
TR190-12-12	3/4"	20	41.3	70	14.5	24x4.5
TR190-12-16	3/4"	20	47.6	70	14.5	28.5x4.5
TR190-16-12	1"	25	41.3	67	19.5	24x4.5
TR190-16-16	1"	25	47.6	70	19.5	28.5x4.5
TR190-16-20	1"	25	54	70	19.5	36x4.5
TR190-20-20	1"1/4	32	54	83	24.5	36x4.5
TR190-20-24	1"1/4	32	63.5	83	24.5	42x4.5
TR190-24-24	1"1/2	40	63.5	93	29.5	42x4.5
TR190-32-32	2"	50	79.4	93	42.5	55x3.5

- Flanş kalınlığı 14.2 mm'dir.
Flange thickness 14.2 mm.

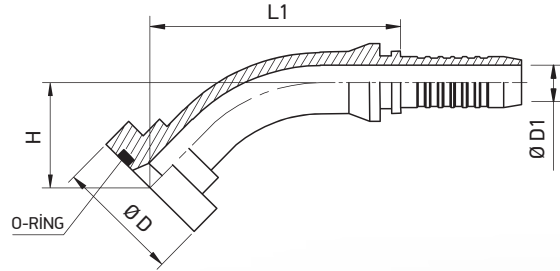
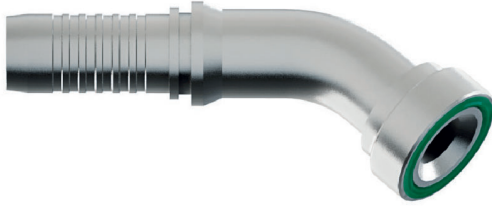
SAE 6000 PSI

TR 191

SAE 6000 PSI

Flanşlı 45° Hortum Rakorları (Kalın Tip)

45° Flange SAE 6000 PSI J518 Code 62 (Thick Type)
SFS



Kod No Part Number	Hortum İç Çapı Hose Inside Diameter		Boyut Ölçüleri (mm) Dimensions in (mm)				
ID No	Size	DN	Ø D	H	L1	Ø D1	O-RİNG
TR191-12-12	3/4"	20	41.3	32	70	14.5	24x4.5
TR191-12-16	3/4"	20	47.6	32	70	14.5	28.5x4.5
TR191-16-12	1"	25	41.3	35	90	19.5	24x4.5
TR191-16-16	1"	25	47.6	38	90	19.5	28x4.5
TR191-16-20	1"	25	54	40	95	19.5	36x4.5
TR191-20-20	1"1/4	32	54	45	100	24.5	36x4.5
TR191-20-24	1"1/4	32	63.5	48	110	24.5	42x4.5
TR191-24-24	1"1/2	40	63.5	60	125	29.5	42x4.5
TR191-32-32	2"	50	79.4	60	140	42.5	55x3.5

- Flanş kalınlığı 14.2 mm'dir.
Flange thickness 14.2 mm.

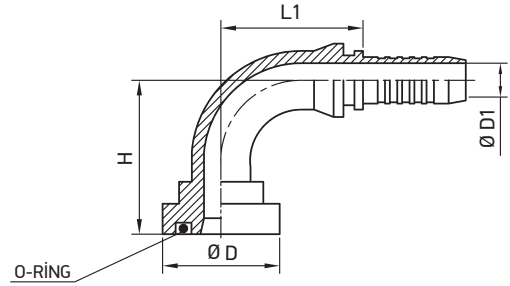
SAE 6000 PSI

TR 192

SAE 6000 PSI

Flanşlı 90° Hortum Rakorları (Kalın Tip)

90° Flange SAE 6000 PSI J518 Code 62 (Thick Type)
SFS



Kod No Part Number	Hortum İç Çapı Hose Inside Diameter		Boyut Ölçüleri (mm) Dimensions in (mm)				
ID No	Size	DN	Ø D	H	L1	Ø D1	O-RİNG
TR192-12-12	3/4"	20	41.3	70	60	14.5	24x4.5
TR192-12-16	3/4"	20	47.6	72	60	14.5	28.5x4.5
TR192-16-12	1"	25	41.3	75	80	19.5	24x4.5
TR192-16-16	1"	25	47.6	75	80	19.5	28.5x4.5
TR192-16-20	1"	25	54	78	80	19.5	36x4.5
TR192-20-20	1"1/4	32	54	85	85	24.5	36x4.5
TR192-20-24	1"1/4	32	63.5	90	100	24.5	42x4.5
TR192-24-24	1"1/2	40	63.5	115	105	29.5	42x4.5
TR192-32-32	2"	50	79.4	120	130	42.5	55x3.5

- Flanş kalınlığı 14.2 mm'dir.
Flange thickness 14.2 mm.

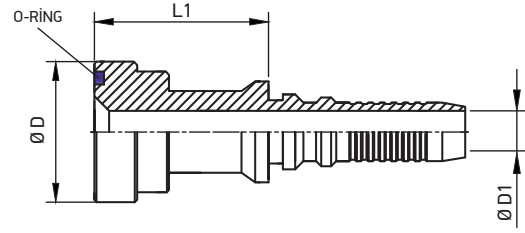
SAE 6000 PSI

TR 193

SAE 6000 PSI

Flanşlı Sıyırmalı Hortum Rakorları

Flange SAE 6000 PSI J518 Code 61 (Interlock)
SFS



Kod No Part Number	Hortum İç Çapı Hose Inside Diameter		Boyut Ölçüleri (mm) Dimensions in (mm)			
	Size	DN	Ø D	L1	Ø D1	O-RING
TR193-20-20	1"1/4	32	54	73	24.5	36x4,5
TR193-20-24	1"1/4	32	63.5	73	24.5	41.5x4,5
TR193-24-20	1"1/2	40	54	83	29.5	36x4,5
TR193-24-24	1"1/2	40	63.5	83	29.5	41.5x4,5
TR193-32-32	2"	50	79.4	78	42.5	55x3,5

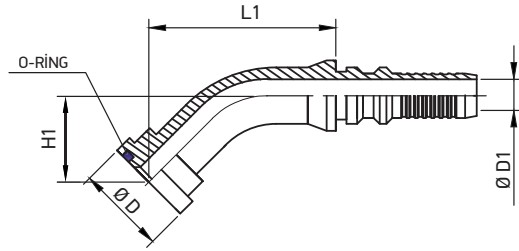
SAE 6000 PSI

TR 194

SAE 6000 PSI

Flanşlı 45° Sıyırma Hortum Rakorları

45° Flange SAE 6000 PSI J518 Code 62 (Interlock)
SFS



Kod No Part Number	Hortum İç Çapı Hose Inside Diameter			Boyut Ölçüleri (mm) Dimensions in (mm)			
ID No	Size	DN	Ø D	H	L1	Ø D1	O-RİNG
TR194-20-20	1"1/4	32	54	45	100	24.5	36x4,5
TR194-20-24	1"1/4	32	63.5	45	115	24.5	41.5x4,5
TR194-24-20	1"1/2	40	54	60	125	29.5	36x4,5
TR194-24-24	1"1/2	40	63.5	60	125	29.5	41.5x4,5
TR194-32-32	2"	50	79.4	75	150	42.5	55x3,5

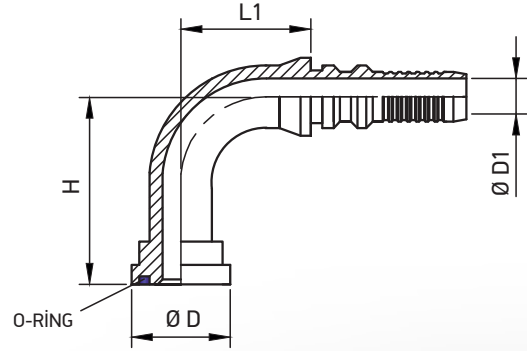
SAE 6000 PSI

TR 195

SAE 6000 PSI

Flanşlı 90° Sıyırma Hortum Rakorları

90° Flange SAE 6000 PSI J518 Code 62 (Interlock)
SFS



Kod No Part Number	Hortum İç Çapı Hose Inside Diameter		Boyut Ölçüleri (mm) Dimensions in (mm)				
	Size	DN	Ø D	H	L1	Ø D1	O-RİNG
TR195-20-20	1"1/4	32	54	85	86	24.5	36x4,5
TR195-20-24	1"1/4	32	63.5	100	105	24.5	41.5x4,5
TR195-24-20	1"1/2	40	54	115	105	29.5	36x4,5
TR195-24-24	1"1/2	40	63.5	115	105	29.5	41.5x4,5
TR195-32-32	2"	50	79.4	125	110	42.5	55x3.5

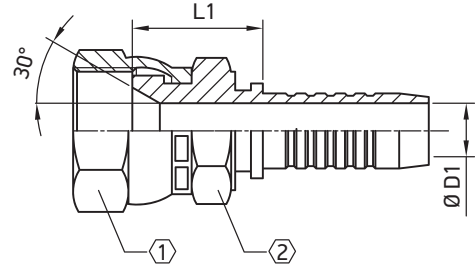
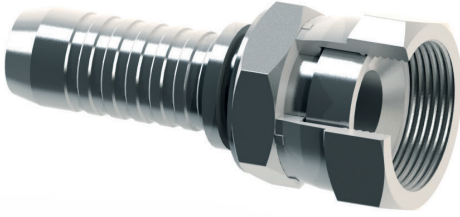
SAE 6000 PSI

TR 200

Metrik 30°

Komatsu Hortum Rakorları

Komatsu Female



Kod No Part Number	Hortum İç Çapı Hose Inside Diameter		Diş Ölçüsü Thread	Boyut Ölçüleri (mm) Dimensions in (mm)			
ID No	Size	DN	Thread	L1	Ø D1	①	②
TR200-4-4	1/4"	6	M14x1.5	22	4	19	14
TR200-5-5	5/16"	8	M16x1.5	22	5	22	17
TR200-5-6	5/16"	8	M18x1.5	22	5	22	17
TR200-6-6	3/8"	10	M18x1.5	22	6.5	22	19
TR200-8-8	1/2"	12	M22x1.5	27	9.5	27	22
TR200-10-10	5/8"	16	M24x1.5	30	11.5	30	27
TR200-12-12	3/4"	20	M30x1.5	32	14.5	36	32
TR200-16-16	1"	25	M33x1.5	34	19.5	41	36
TR200-20-20	1"1/4	32	M36x1.5	38	24.5	46	41
TR200-20-24	1"1/4	32	M42x1.5	40	24.5	55	46
TR200-24-20	1"1/2	40	M42x1.5	37	29.5	55	50
TR200-32-24	2"	50	M52x1.5	40	42,5	60	60

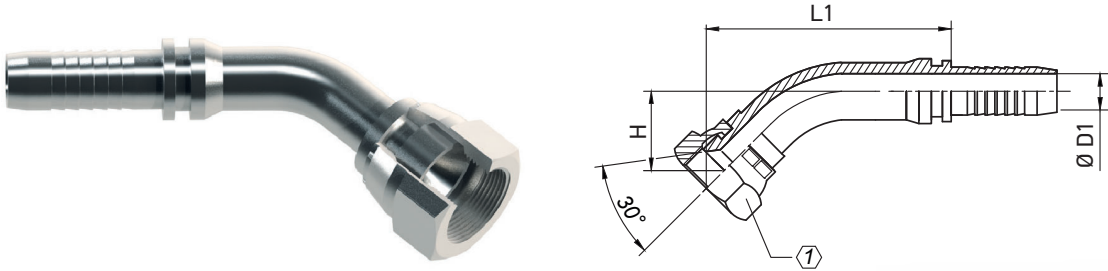
METRIK 30°

TR 201

Metrik 30°

Komatsu Hortum Rakorları 45°

45° Komatsu Female



Kod No Part Number	Hortum İç Çapı Hose Inside Diameter		Diş Ölçüsü Thread	Boyut Ölçüleri (mm) Dimensions in (mm)			
ID No	Size	DN	Thread	H	L1	Ø D1	①
TR201-4-6	1/4"	6	M14x1.5	16	42	4	19
TR201-5-5	5/16"	8	M16x1.5	18	42	5	22
TR201-5-6	5/16"	8	M18x1.5	18	42	5	22
TR201-6-6	3/8"	10	M18x1.5	25	43	6.5	22
TR201-8-8	1/2"	12	M22x1.5	26	60	9.5	27
TR201-10-10	5/8"	16	M24x1.5	28	70	11.5	30
TR201-12-12	3/4"	20	M30x1.5	38	88	14.5	36
TR201-16-16	1"	25	M33x1.5	40	100	19.5	41
TR201-20-20	1"1/4	32	M36x1.5	45	105	24.5	46
TR201-20-24	1"1/4	32	M42x1.5	50	115	24.5	55
TR201-24-20	1"1/2	40	M42x1.5	55	120	29.5	55

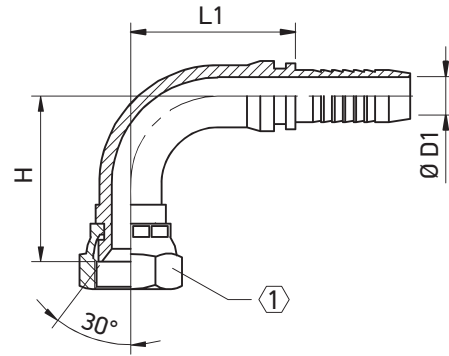
METRIK 30°

TR 202

Metrik 30°

Komatsu Hortum Rakorları 90°

90° Komatsu Female



Kod No Part Number	Hortum İç Çapı Hose Inside Diameter		Diş Ölçüsü Thread	Boyut Ölçüleri (mm) Dimensions in (mm)			
ID No	Size	DN	Thread	H	L1	Ø D1	①
TR202-4-6	1/4"	6	M14x1.5	32	34	4	19
TR202-5-5	5/16"	8	M16x1.5	35	25	5	22
TR202-5-6	5/16"	8	M18x1.5	36	38	5	22
TR202-6-6	3/8"	10	M18x1.5	38	40	6.5	22
TR202-8-8	1/2"	12	M22x1.5	44	46	9.5	27
TR202-10-10	5/8"	16	M24x1.5	48	50	11.5	30
TR202-12-12	3/4"	20	M30x1.5	70	70	14.5	36
TR202-16-16	1"	25	M33x1.5	70	80	19.5	41
TR202-20-20	1"1/4	32	M36x1.5	85	85	24.5	46
TR202-20-24	1"1/4	32	M42x1.5	92	85	24.5	55
TR202-24-20	1"1/2	40	M42x1.5	95	105	29.5	55

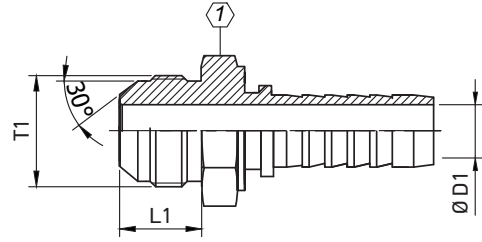
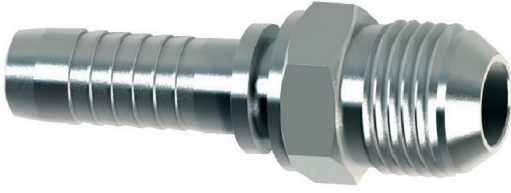
METRIK 30°

TR 203

Metrik 30°

Komatsu Erkek Hortum Rakoru

Komatsu Male



Kod No Part Number	Hortum İç Çapı Hose Inside Diameter	Diş Ölçüsü Thread	Boyut Ölçüleri (mm) Dimensions in (mm)		
ID No	Size	Thread	L1	Ø D1	①
TR203-4-8	1/4"	M14X1.5	17	4	17
TR203-5-12	5/16"	M18X1.5	17	5	19
TR203-6-12	3/8"	M18X1.5	17	6.5	19
TR203-8-15	1/2"	M22X1.5	19.5	9.5	24
TR203-10-16	5/8"	M24X1.5	22	11.5	27
TR203-12-22	3/4"	M30X1.5	23.5	14.5	32
TR203-16-16	1"	M33X1.5	24,5	19.5	36
TR203-20-24	1"1/4	M42X1.5	31	24.5	46

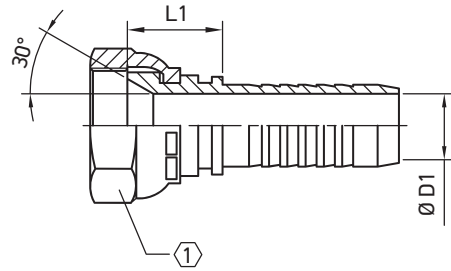
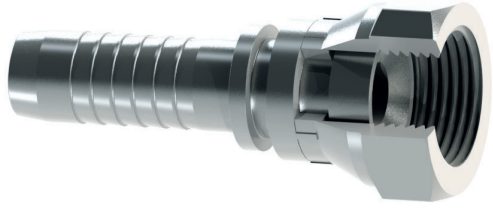
METRIK 30°

TR 210

BSP 30°

BSP İçe Havşa Hortum Rakorları

BSP Female 30° Cone (Internal Countersink)

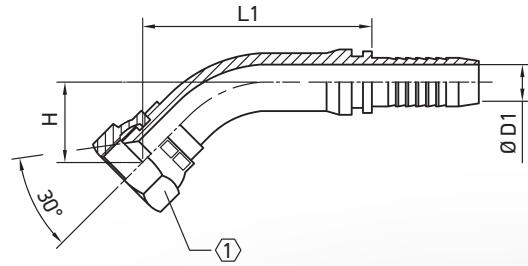


Kod No Part Number	Hortum İç Çapı Hose Inside Diameter		Diş Ölçüsü Thread	Boyut Ölçüleri (mm) Dimensions in (mm)		
	Size	DN	Thread	L1	Ø D1	①
TR210-4-4	1/4"	6	G1/4"-19	17	4	19
TR210-5-8	5/16"	8	G1/2"-14	20	5	27
TR210-6-6	3/8"	10	G3/8"-19	18	6.5	22
TR210-6-8	3/8"	10	G1/2"-14	20	6.5	27
TR210-8-8	1/2"	12	G1/2"-14	21	9.5	27
TR210-10-12	5/8"	16	G3/4"-14	24.5	11.5	32
TR210-12-12	3/4"	20	G3/4"-14	24	14.5	32
TR210-16-16	1"	25	G1"-11	25	19.5	41
TR210-20-20	1"1/4	32	G1"1/4-11	32	24.5	50
TR210-24-24	1"1/2	40	G1"1/2-11	34	29.5	55
TR210-32-32	2"	50	G2"-11	35	42.5	70

BSP 30°

BSP İçe Havşa 45° Hortum Rakorları

45° BSP Female 30° Cone (Internal Countersink)



Kod No Part Number	Hortum İç Çapı Hose Inside Diameter		Diş Ölçüsü Thread	Boyut Ölçüleri (mm) Dimensions in (mm)			
ID No	Size	DN	Thread	H	L1	Ø D1	①
TR211-4-4	1/4"	6	G1/4"-19	18	40	4	19
TR211-5-8	5/16"	8	G1/2"-14	23	40	5	27
TR211-6-6	3/8"	10	G3/8"-19	25	43	6.5	22
TR211-6-8	3/8"	10	G1/2"-14	25	52	6.5	27
TR211-8-8	1/2"	12	G1/2"-14	26	60	9.5	27
TR211-12-12	3/4"	20	G3/4"-14	32	80	14.5	32
TR211-16-16	1"	25	G1"-11	40	80	19.5	41
TR211-20-20	1"1/4	32	G1"1/4-11	48	115	24.5	50
TR211-24-24	1"1/2	40	G"1/2-11	55	125	24.5	55
TR211-32-32	2"	50	G2"-11	60	130	42.5	70

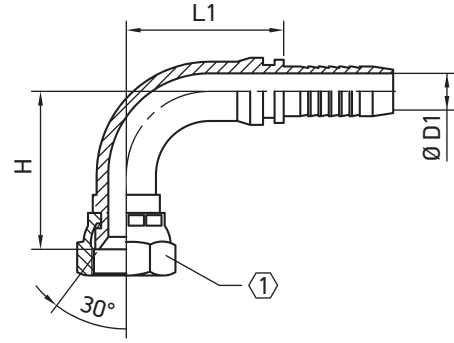
BSP 30°

TR 212

BSP 30°

BSP İçe Havşa 90° Hortum Rakorları

90° BSP Female 30° Cone (Internal Countersink)



Kod No Part Number	Hortum İç Çapı Hose Inside Diameter		Diş Ölçüsü Thread	Boyut Ölçüleri (mm) Dimensions in (mm)			
ID No	Size	DN	Thread	H	L1	Ø D1	①
TR212-4-4	1/4"	6	G1/4"-19	32	32	4	19
TR212-5-8	5/16"	8	G1/2"-14	35	35	5	27
TR212-6-6	3/8"	10	G3/8"-19	36	38	6.5	22
TR212-6-8	3/8"	10	G1/2"-14	38	40	6.5	27
TR212-8-8	1/2"	12	G1/2"-14	44	42	9.5	27
TR212-10-10	5/8"	16	G5/8"-14	45	55	11.5	30
TR212-12-12	3/4"	20	G3/4"-14	60	70	14.5	32
TR212-16-16	1"	25	G1"-11	70	75	19.5	41
TR212-20-20	1"1/4	32	G1"1/4-11	80	85	24.5	50
TR212-24-24	1"1/2	40	G1"1/2-11	95	100	24.5	55
TR212-32-32	2"	50	G2"-11	100	120	42.5	70

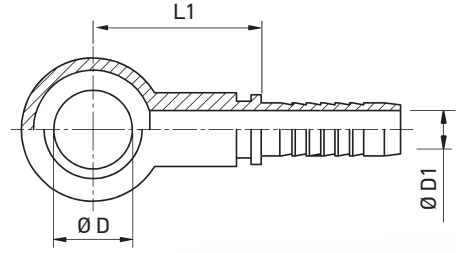
BSP 30°

TR 220

Presli Halka

Pres Halka Rakorları

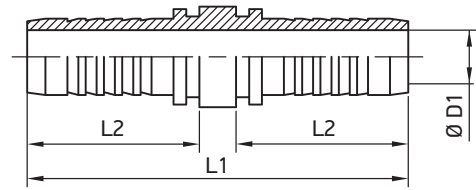
BSP - Metric Banjo



Kod No Part Number	Hortum İç Çapı Hose Inside Diameter		Boyut Ölçüleri (mm) Dimensions in (mm)		
ID No	Size	DN	Ø D	L1	Ø D1
TR220-4-10	1/4"	6	10	29	4
TR220-4-12	1/4"	6	12	32,5	4
TR220-5-10	5/16"	8	10	31,5	5
TR220-5-12	5/16"	8	12	32,5	5
TR220-5-14	5/16"	8	14	36,5	5
TR220-6-12	3/8"	10	12	37	6,5
TR220-6-14	3/8"	10	14	36,5	6,5
TR220-6-16	3/8"	10	16	41	6,5
TR220-6-17	3/8"	10	17	47	6,5
TR220-6-18	3/8"	10	18	51	6,5
TR220-8-16	1/2"	12	16	42	9,5
TR220-8-18	1/2"	12	18	52	9,5
TR220-8-20	1/2"	12	20	48	9,5
TR220-8-21	1/2"	12	21	51	9,5
TR220-8-22	1/2"	12	22	45	9,5
TR220-10-20	5/8"	16	20	52	11,5
TR220-10-22	5/8"	16	22	53	11,5
TR220-10-24	5/8"	16	24	54	11,5
TR220-12-26	3/4"	20	26	55	14,5
TR220-12-30	3/4"	20	30	57	14,5

Hortum Ara Ekleri

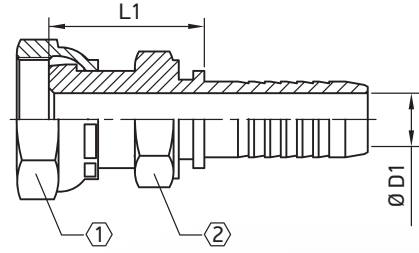
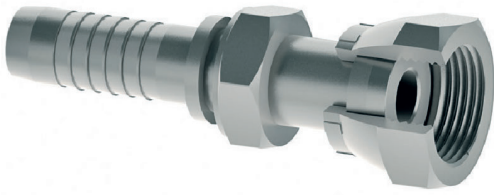
Hose Extensions



Kod No Part Number	Hortum İç Çapı Hose Inside Diameter		Boyut Ölçüleri (mm) Dimensions in (mm)		
	ID No Size	DN	Ø D1	L1	L2
TR225-3	3/16"	5	3	59	26
TR225-4	1/4"	6	4	67	30
TR225-5	5/16"	8	5	71	32
TR225-6	3/8"	10	6.5	78,5	35
TR225-8	1/2"	12	9.5	88	40
TR225-10	5/8"	16	11.5	98	45
TR225-12	3/4"	20	14.5	113	52
TR225-16	1"	25	19.5	133	62
TR225-20	1"1/4	32	24.5	175	80
TR225-24	1"1/2	40	29.5	180	80
TR225-26	2"	50	42.5	185	80

ORFS Hortum Rakorları

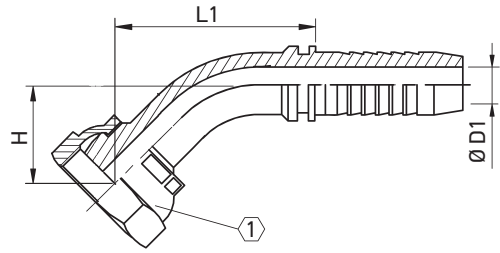
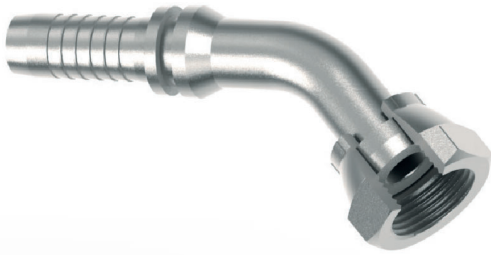
ORFS Female Hose Fittings DK ORFS



Kod No Part Number	Hortum İç Çapı Hose Inside Diameter		Diş Ölçüsü Thread	Boyut Ölçüleri (mm) Dimensions in (mm)			
ID No	Size	DN	Thread	L1	Ø D1	①	②
TR230-4-6	1/4"	6	9/16"-18	27	4	19	14
TR230-4-10	1/4"	6	11/16"-16	30	4	22	17
TR230-5-6	5/16"	8	9/16"-18	27	5	19	17
TR230-5-10	5/16"	8	11/16"-16	30	5	22	17
TR230-6-6	3/8"	10	9/16"-18	28	6.5	19	17
TR230-6-10	3/8"	10	11/16"-16	30	6.5	22	17
TR230-6-12	3/8"	10	13/16"-16	33	6.5	24	19
TR230-8-10	1/2"	12	11/16"-16	33	9.5	22	19
TR230-8-12	1/2"	12	13/16"-16	35	9.5	24	22
TR230-8-16	1/2"	12	1"-14	39	9.5	30	24
TR230-10-16	5/8"	16	1"-14	40	11.5	30	24
TR230-10-20	5/8"	16	1"3/16-12	44,5	11.5	36	32
TR230-12-20	3/4"	20	1"3/16-12	44	14.5	36	32
TR230-12-25	3/4"	20	1"7/16-12	47.5	14.5	41	36
TR230-16-25	1"	25	1"7/16-12	47.5	19.5	41	36
TR230-16-32	1"	25	1"11/16-12	49.5	19.5	50	41
TR230-20-32	1"1/4	32	1"11/16-12	52,5	24.5	50	41
TR230-24-40	1"1/2	40	2"-12	54	29.5	60	50

ORFS 45° Hortum Rakorları

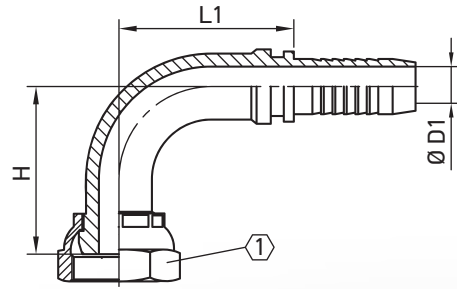
45° ORFS Female DK ORFS 45



Kod No Part Number	Hortum İç Çapı Hose Inside Diameter		Diş Ölçüsü Thread	Boyut Ölçüleri (mm) Dimensions in (mm)			
ID No	Size	DN	Thread	H	L1	Ø D1	①
TR231-4-6	1/4"	6	9/16"-18	16	38	4	19
TR231-4-10	1/4"	6	11/16"-16	16	40	4	22
TR231-5-6	5/16"	8	9/16"-18	18	40	5	19
TR231-5-10	5/16"	8	11/16"-16	18	40	5	22
TR231-6-6	3/8"	10	9/16"-18	18	40	6.5	19
TR231-6-10	3/8"	10	11/16"-16	18	40	6.5	22
TR231-6-12	3/8"	10	13/16"-16	20	42	6.5	24
TR231-8-10	1/2"	12	11/16"-16	26	56	9.5	22
TR231-8-12	1/2"	12	13/16"-16	26	56	9.5	24
TR231-8-16	1/2"	12	1"-14	26	56	9.5	30
TR231-10-16	5/8"	16	1"-14	26	62	11.5	30
TR231-10-20	5/8"	16	1"3/16-12	26	62	11.5	36
TR231-12-20	3/4"	20	1"3/16-12	33	90	14.5	36
TR231-12-25	3/4"	20	1"7/16-12	33	72	14.5	41
TR231-16-25	1"	25	1"7/16-12	36	90	19.5	41
TR231-16-32	1"	25	1"11/16-12	36	95	19.5	50
TR231-20-32	1"1/4	32	1"11/16-12	45	95	24.5	50
TR231-24-40	1"1/2	40	2"-12	55	125	29.5	60

ORFS 90° Hortum Rakorları

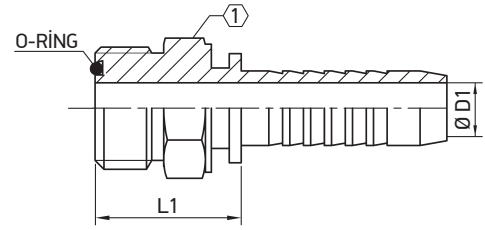
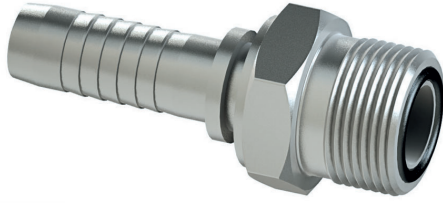
90° ORFS Female DK ORFS 90



Kod No Part Number	Hortum İç Çapı Hose Inside Diameter		Diş Ölçüsü Thread	Boyut Ölçüleri (mm) Dimensions in (mm)			
ID No	Size	DN	Thread	H	L1	ØD1	①
TR232-4-6	1/4"	6	9/16"-18	30	32	4	19
TR232-4-10	1/4"	6	11/16"-16	30	34	4	22
TR232-5-6	5/16"	8	9/16"-18	32	34	5	19
TR232-5-10	5/16"	8	11/16"-16	33	34	5	22
TR232-6-6	3/8"	10	9/16"-18	34	36	6.5	19
TR232-6-10	3/8"	10	11/16"-16	34	36	6.5	22
TR232-6-12	3/8"	10	13/16"-16	35	35	6.5	24
TR232-8-10	1/2"	12	11/16"-16	35	42	9.5	22
TR232-8-12	1/2"	12	13/16"-16	45	38	9.5	24
TR232-8-16	1/2"	12	1"-14	42	46	9.5	30
TR232-10-16	5/8"	16	1"-14	48	58	11.5	30
TR232-10-20	5/8"	16	1"3/16-12	55	55	11.5	36
TR232-12-20	3/4"	20	1"3/16-12	55	68	14.5	36
TR232-12-25	3/4"	20	1"7/16-12	56	66	14.5	41
TR232-16-25	1"	25	1"7/16-12	65	77	19.5	41
TR232-16-32	1"	25	1"11/16-12	70	75	19.5	50
TR232-20-32	1"1/4	32	1"11/16-12	84	88	24.5	50
TR232-24-40	1"1/2	40	2"-12	97	90	29.5	60

ORFS Erkek Hortum Rakorları

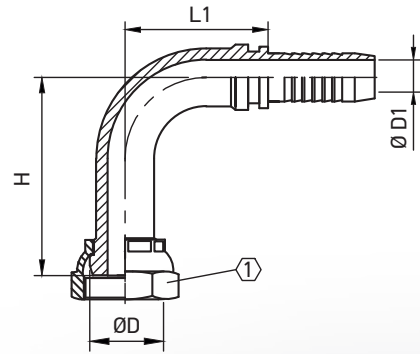
ORFS Male Hose Fittings



Kod No Part Number	Hortum İç Çapı Hose Inside Diameter		Diş Ölçüsü Thread	Boyut Ölçüleri (mm) Dimensions in (mm)			
ID No	Size	DN	Thread	L1	Ø D1	⊕	O-RİNG
TR233-4-6	1/4"	6	9/16"-18	24	4	17	7.6x1.78
TR233-4-10	1/4"	6	11/16"-16	24	4	19	9.2x1.78
TR233-5-6	5/16"	8	9/16"-18	24	5	17	7.6x1.78
TR233-5-10	5/16"	8	11/16"-16	24	5	19	9.2x1.78
TR233-6-6	3/8"	10	9/16"-18	24	6.5	17	7.6x1.78
TR233-6-10	3/8"	10	11/16"-16	25	6.5	19	9.2x1.78
TR233-6-12	3/8"	10	13/16"-16	29	6.5	22	12.4x1.78
TR233-8-10	1/2"	12	11/16"-16	26	9.5	19	9.2x1.78
TR233-8-12	1/2"	12	13/16"-16	30	9.5	22	12.4x1.78
TR233-8-16	1/2"	16	1"-14	32	9.5	27	15.6x1.78
TR233-10-16	5/8"	16	1"-14	33	11.5	27	15.6x1.78
TR233-10-20	5/8"	16	1"3/16-12	35	11.5	32	18.7x1.78
TR233-12-20	3/4"	20	1"3/16-12	35	14.5	32	18.7x1.78
TR233-12-25	3/4"	20	1"7/16-12	37	14.5	41	23.5x1.78
TR233-16-25	1"	25	1"7/16-12	37	19.5	41	23.5x1.78
TR233-16-32	1"	25	1"11/16-12	43	19.5	46	29.8x1.78
TR233-20-32	1"1/4	32	1"11/16-12	46	24.5	46	33x1.78
TR233-24-40	1"1/2	40	2"-12	46	29.5	55	37.8x1.78

ORFS Uzun 90° Hortum Rakorları

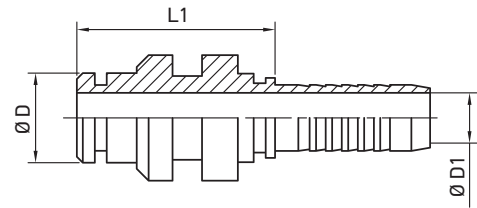
90° ORFS Female (Long Type) DK ORFS 90



Kod No Part Number	Hortum İç Çapı Hose Inside Diameter		Diş Ölçüsü Thread	Boyut Ölçüleri (mm) Dimensions in (mm)				
ID No	Size	DN	Thread	Ø D	H	L1	Ø D1	①
TR234-4-6	1/4"	6	9/16"-18	12.5	50	32	4	19
TR234-5-10	5/16"	8	11/16"-16	15.5	55	32	5	22
TR234-6-10	3/8"	10	11/16"-16	15	55	34	6.5	22
TR234-6-12	3/8"	12	13/16"-16	18	65	34	6.5	24
TR234-8-12	1/2"	10	13/16"-16	18	65	45	9.5	24
TR234-8-16	1/2"	12	1"-14	22.8	70	45	9.5	30
TR234-10-16	5/8"	16	1"-14	22.8	75	55	11.5	30
TR234-12-20	3/4"	20	1"-3/16-12	27.5	100	65	14.5	36
TR234-16-25	1"	25	1"-7/16-12	34	115	75	19.5	41
TR234-20-32	1 1/4"	32	1"-11/16-12	40	130	90	24.5	50

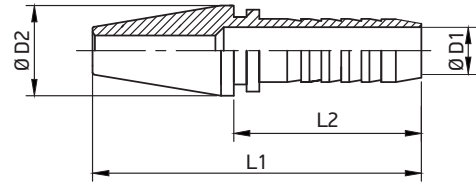
Maden Rakorları

Mining Fittings



Kod No Part Number	Hortum İç Çapı Hose Inside Diameter		Boyut Ölçüleri (mm) Dimensions in (mm)		
ID No	Size	DN	Ø D	L1	Ø D1
TR240-4-6	1/4"	6	9.9	33.5	4
TR240-6-10	3/8"	10	13.9	34	6.5
TR240-8-12	1/2"	12	17.9	35	9.5
TR240-10-16	5/8"	16	20.9	36	11.5
TR240-12-20	3/4"	20	23.9	37	14.5
TR240-16-25	1"	25	30.9	42	19.5
TR240-20-32	1"1/4	32	37.9	45	24.5

Tazyik Hortum Rakoru Pressure Hose Fittings

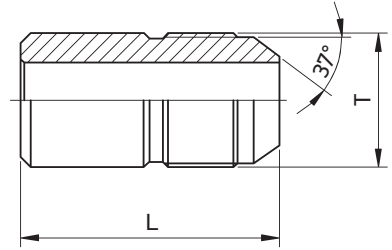
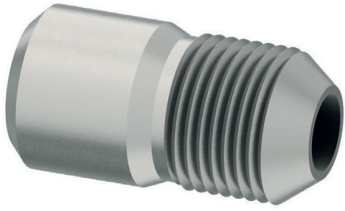


Kod No Part Number	Hortum İç Çapı Hose Inside Diameter	Boyut Ölçüleri (mm) Dimensions in (mm)			
ID No	Size	Ø D1	L1	L2	Ø D2
TR241-6	3/8"	6.5	65	35	15
TR241-8	1/2"	9.5	75	40	20
TR241-10	5/8"	11.5	83	45	22
TR241-12	3/4"	14.5	94	52	26
TR241-16	1"	19.5	111	62	32

TR 245

UNF 37°

Kaynaklık Nipel JIC Weld Connector



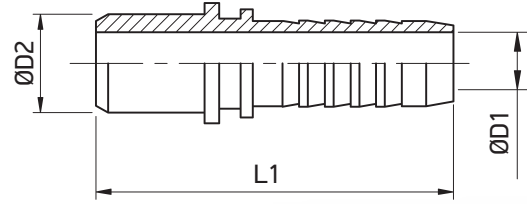
UNF 37°

Kod No Part Number	T-Diř Ölçüsü Thread	Boyut Ölçüleri (mm) Dimensions in (mm)
ID No	T	L
TR245-4S	7/16"-20	30
TR245-5S	1/2"-20	30
TR245-6S	9/16"-18	33
TR245-7S	5/8"-18	35
TR245-8S	3/4"-16	36
TR245-10S	7/8"-14	42
TR245-12S	1"1/16-12	45
TR245-16S	1"5/16-12	50

TR 247

Kaynaklık Rakor

Kaynaklık İçler Weld Couplings



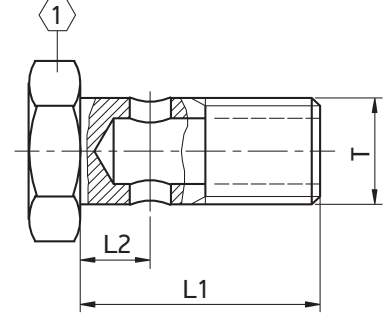
Kod No Part Number	Hortum İç Çapı Hose Inside Diameter		Boyut Ölçüleri (mm) Dimensions in (mm)		
ID No	Size	DN	Ø D1	Ø D2	L1
TR247-3	3/16"	5	3	10	36
TR247-4	1/4"	6	4	12	40
TR247-5	5/16"	8	5	12	42
TR247-6	3/8"	10	6.5	16	45
TR247-8	1/2"	12	9.5	20	56
TR247-10	5/8"	16	11.5	22	65
TR247-12	3/4"	20	14.5	26	72
TR247-16	1"	25	19.5	32	82
TR247-20	1"1/4	32	24.5	42	107
TR247-24	1"1/2	40	29.5	47	108

Kaynaklık Rakor

TR 248

Metrik-BSP

Halka Rakor Civatası Metric - BSP Banjo Bolt



Metrik-BSP

Kod No Part Number	T-Dış Ölçüsü Thread	Boyut Ölçüleri (mm) Dimensions in (mm)		
ID No	T	L1	L2	①
TR248-M-4-1	M10x1	19	5.5	14
TR248-M-4-2	M10x1.5	19	5.5	14
TR248-M-4-3	M10x1.25	19	5.5	14
TR248-M-6	M12x1.5	24	6.3	17
TR248-M-8	M14x1.5	27	8.3	19
TR248-M-10	M16x1.5	28	10	22
TR248-M-12	M18x1.5	32	10.6	24

BSP

TR248-R-2	G1/8-28	19	5.4	14
TR248-R-4	G1/4-19	27	8.5	19
TR248-R-6	G3/8-19	28	10	22
TR248-R-8	G1/2-14	35	11	27